



---

# CERAMIC SANITARY WARE

2021

---

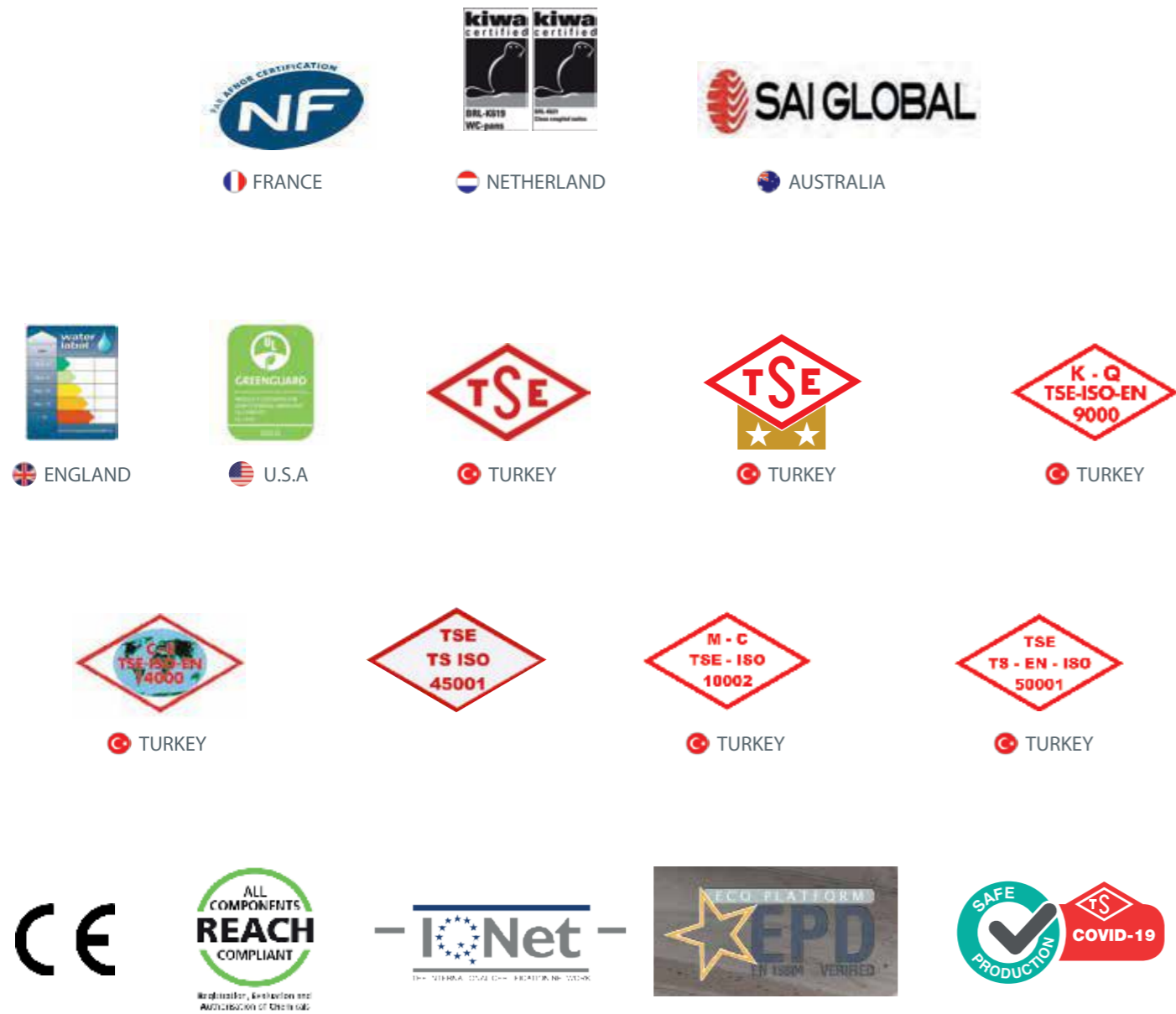
## CONTENTS

---

Bathroom Suit	
Serel Helios	6
Serel Colors	9
Serel 4Life	20
Serel Poseidon	23
Serel Freestanding	26
Serel Hera	27
Serel Purity	29
Serel Wave	31
Serel Diagonal	33
Serel Rita	37
Serel Sapphire	41
Serel Smart	45
Serel Star	49
Serel Nita	52
Serel Friendly	56
Serel Etna	66
Serel Damla	68
Serel Zambak	71
Serel Mio	73

Special Series	
Serel Minimal Washbasins	75
Serel Disabled Series	85
Serel Children	89
Single Pieces	
Serel Washbasins With Shelves	92
Serel Vanity Washbasins	95
Serel Washbasins	98
Serel Squatting Pans	100
Serel WC Pans	101
Serel Urinals & Wall Separators	104
Serel Shower Trays	108
Complementary Product	
Serel Accessories	111
Serel Flush Mechanism	115

# CERTIFICATES



# DESIGN AWARDS



# SEREL HYGIENE PLUS



The most innovative ceramic surface of **SEREL Hygiene Plus** offers **maximum savings**, germ free surfaces and hygienic atmosphere without using any chemicals for cleaning the surface.

# SEREL PURE WASH



New technology rimless WCs are available in various alternatives. SEREL Rimless WCs have been designed with the unique Purewash technology, **no rims, no edges, no obstacle for cleaning.** It is the most effective way of cleaning the pan.

# SEREL EASY WASH



Easywash with **waterfall technology** is a **special water flow feature** in the WC. The most effective washing function as well as reaching and cleaning all over and every single point of the WC without any splash.

Product	Technical Drawings	Code
SEREL HELIOS CIRCULAR WASHBASIN (Ø 46 cm.)		HL35

Product	Technical Drawings	Code
SEREL HELIOS SQUARE WASHBASIN (46 cm.)		HL36

Product	Technical Drawings	Code
SEREL HELIOS CIRCULAR WASHBASIN (Ø 37 cm.)		HL34


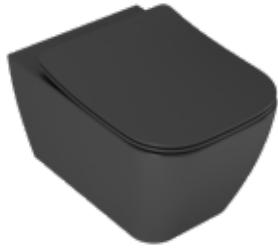

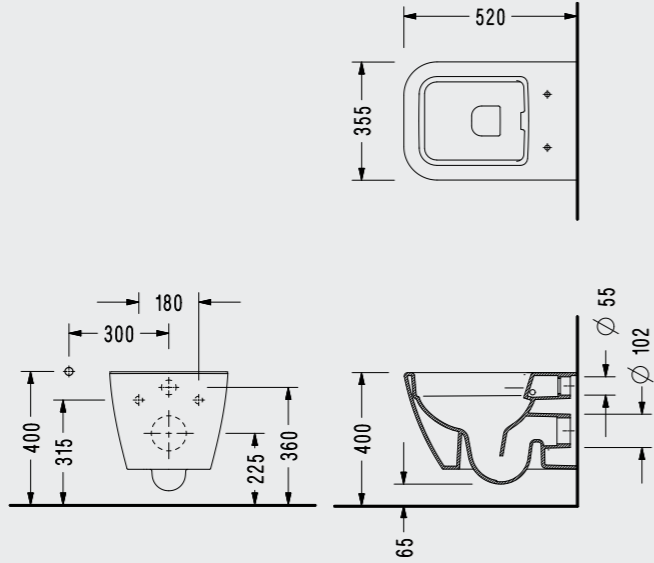
Product	Technical Drawings	Code
SEREL HELIOS SEMI PEDESTAL		HL22

Product	Technical Drawings	Code
SEREL HELIOS SHELF		HL14



Product	Technical Drawings	Code
SEREL HELIOS SHELF		HL14



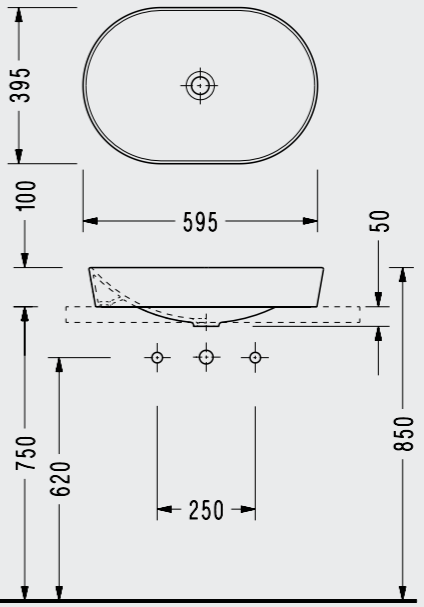
Product	Technical Drawings	Code
SEREL HELIOS SHELF		HE14
SEREL HELIOS SHELF		HS14

Product	Technical Drawings	Code
SEREL RITA WASHBASIN		RT30TXL010H Matt White
SEREL RITA WASHBASIN		RT30TXL050H Matt Black
SEREL RITA WASHBASIN		RT47DXL010H Matt White
SEREL RITA WASHBASIN		RT47DXL050H Matt Black


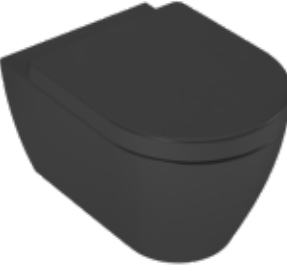
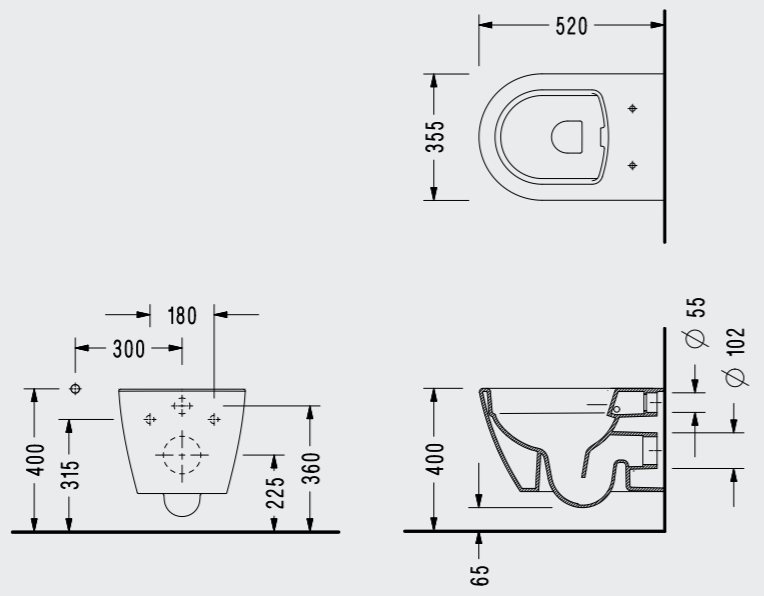
Product	Technical Drawings	Code
SEREL RITA WALL HUNG WC PAN (52 cm.)		
  		<p>RT26-010H Matt White</p> <p>RT26-050H Matt Black</p>

Product	Technical Drawings	Code
SEREL PIA SILENT CLOSE SEAT AND COVER		
 		<p>150400120027 Matt White</p> <p>150400120028 Matt Black</p>

Product	Technical Drawings	Code
SEREL PIA SLIM SILENT CLOSE EASY-RELEASE SEAT AND COVER		
 		<p>150400120029 Matt White</p> <p>150400120030 Matt Black</p>

Product	Technical Drawings	Code
SEREL SAPPHIRE WASHBASIN		
 		<p>SP46DXL010H Matt White</p> <p>SP46DXL050H Matt Black</p>



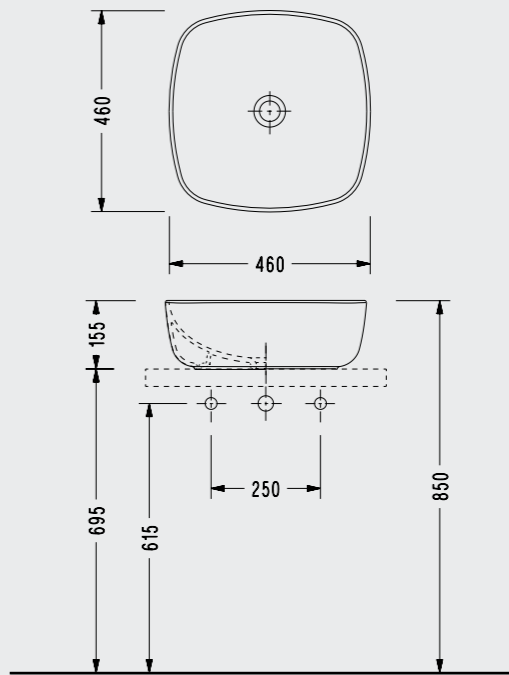
SEREL COLORS

Product	Technical Drawings	Code
SEREL SAPPHIRE WALL HUNG WC PAN (53 cm.)		
 		<p>SP26-010H Matt White</p> <p>SP26-050H Matt Black</p>



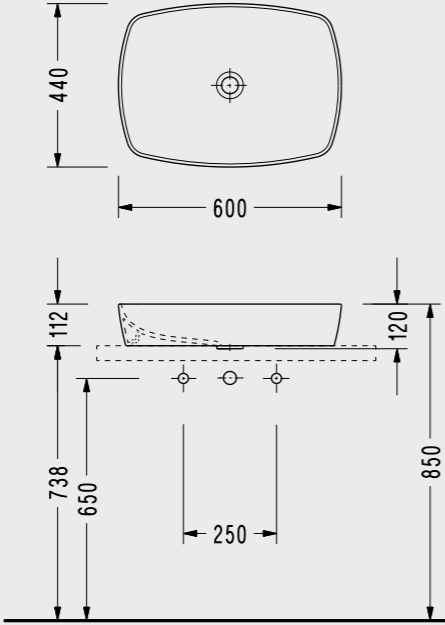
Product	Technical Drawings	Code
SEREL SERA SILENT CLOSE SEAT AND COVER		
 		<p>150400120023 Matt White</p> <p>150400120024 Matt Black</p>


SEREL COLORS




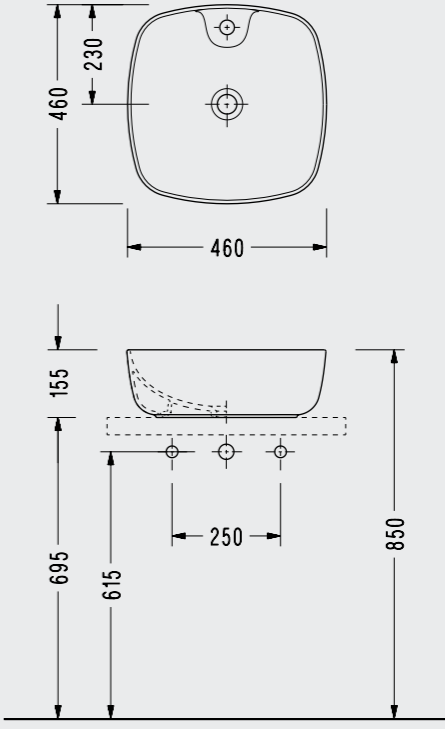
Product	Technical Drawings	Code
SEREL SERA SLIM SILENT CLOSE SEAT AND COVER		
 		<p>150400120025 Matt White</p> <p>150400120026 Matt Black</p>




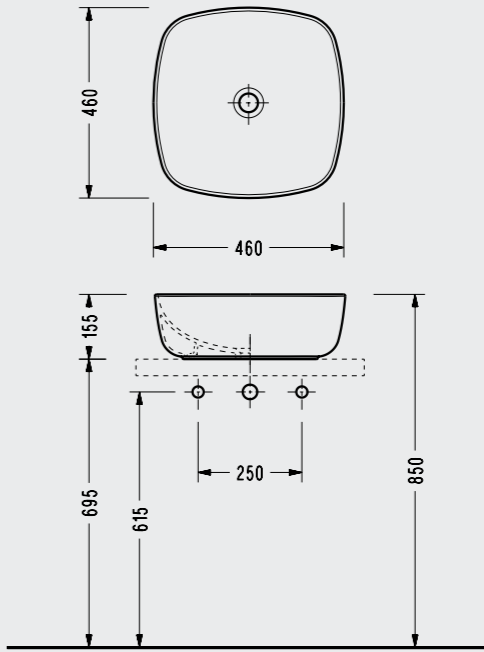
Product	Technical Drawings	Code
SEREL MINIMAL SLIM POT WASHBASIN (46 cm.)		
 		<p>3049DXL010H Matt White</p> <p>3049DXL050H Matt Black</p>


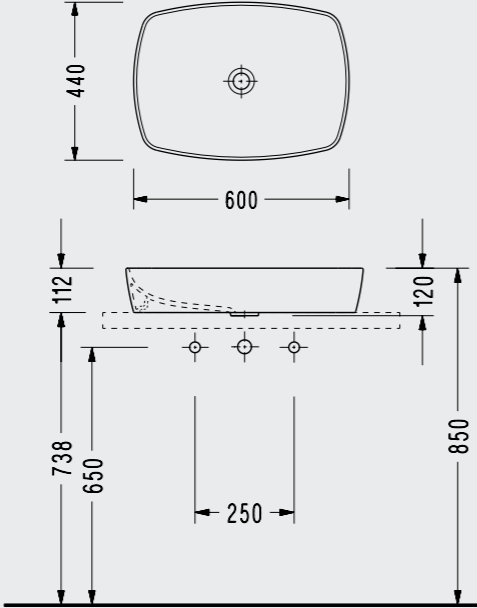





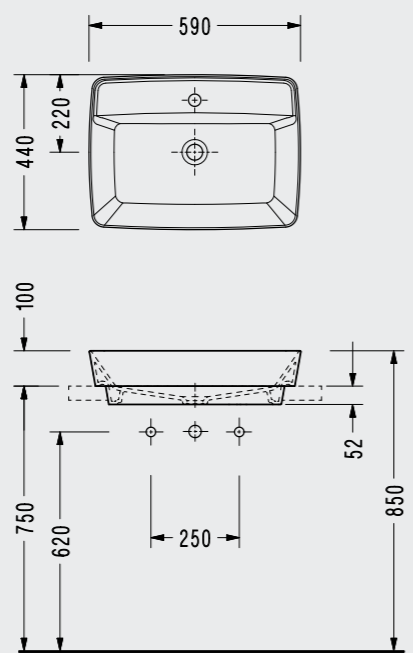


Product	Technical Drawings	Code
SEREL MINIMAL COUNTERTOP SLIM WASHBASIN (60 cm.)		
 		<p>1633DXL010H Matt White</p> <p>1633DXL050H Matt Black</p>




Product	Technical Drawings	Code
CERAMIC PLUG AND WASTE SIPHON UNIT		
 		<p>TP08STL010H Matt White</p> <p>TP08STL050H Matt Black</p>


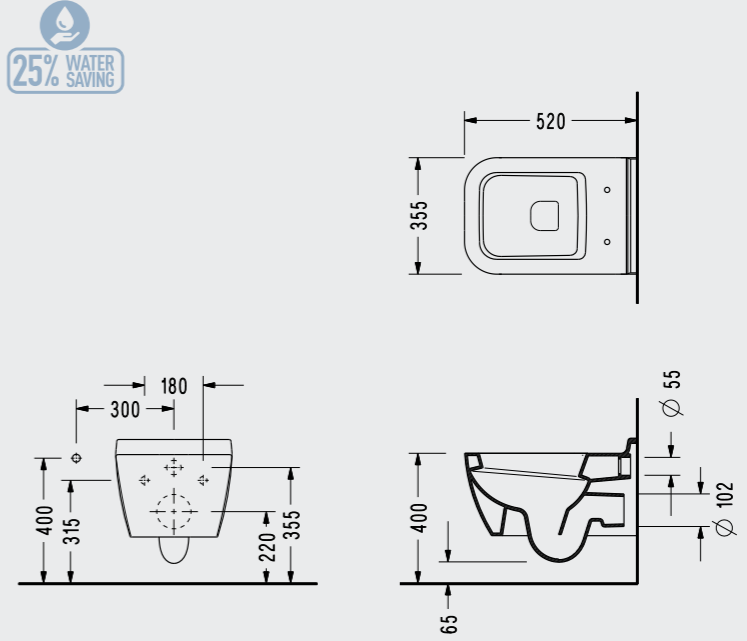


Product	Technical Drawings	Code
SEREL MINIMAL WASHBASIN		
  		<p>3016TXL530H Red</p> <p>3016TXL060H Black</p> <p>3016TXL100H Beige</p>

Product	Technical Drawings	Code
SEREL MINIMAL WASHBASIN		
  		<p>3049DXL530H Red</p> <p>3049DXL060H Black</p> <p>3049DXL100H Beige</p>

Product	Technical Drawings	Code
<b>SEREL MINIMAL WASHBASIN</b>		
		1633DXL530H Red
		1633DXL060H Black
		1633DXL100H Beige

Product	Technical Drawings	Code
<b>SEREL RITA WASHBASIN</b>		
		RT30TXL530H Red
		RT30TXL060H Black
		RT30TXL100H Beige

Product	Technical Drawings	Code
<b>COLORED CERAMIC PLUG AND WASTE SIPHON UNIT</b>		
		TP08STL530H Red
		TP08STL060H Black
		TP08STL100H Beige

Product	Technical Drawings	Code
<b>SEREL RITA WALL HUNG WC PAN</b>		
		RT10-530H Red
		RT10-060H Black
		RT10-100H Beige

Product	Technical Drawings	Code
SEREL SAPPHIRE WALL HUNG WC PAN		
		<p>SP10-530H Red</p> <p>SP10-060H Black</p> <p>SP10-100H Beige</p>

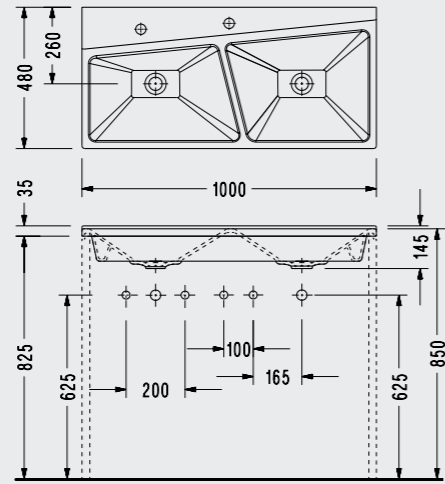
Product	Technical Drawings	Code
SEREL SMART WALL HUNG WC PAN		
		<p>SM23-530H Red</p> <p>SM23-060H Black</p> <p>SM23-100H Beige</p>

Product	Technical Drawings	Code
SEREL ZETA SLIM SILENT CLOSE EASY-RELEASE SEAT AND COVER		
		<p>223ZS00532 Red</p> <p>223ZS00062 Black</p> <p>223ZS00102 Beige</p>

Product	Technical Drawings	Code
SEREL BETA SLIM SILENT CLOSE EASY-RELEASE SEAT AND COVER		
		<p>223BS00532 Red</p> <p>223BS00062 Black</p> <p>223BS00102 Beige</p>

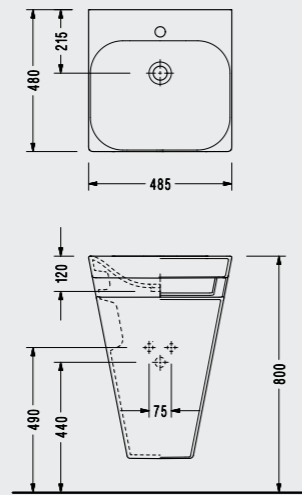
Product	Technical Drawings	Code
---------	--------------------	------

SEREL 4LIFE DOUBLE BOWL WASHBASIN (100 cm.)



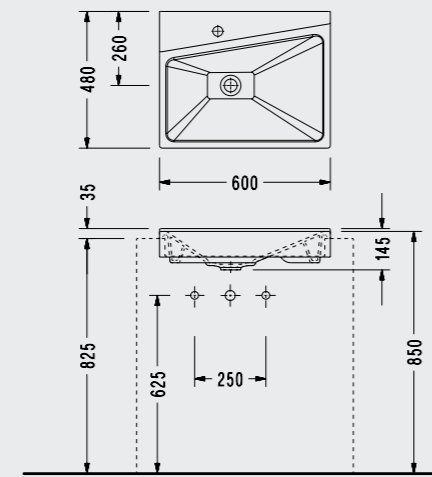
FL32

SEREL 4LIFE MONOBLOCK WALL HUNG WASHBASIN (48,5 cm)



FL37

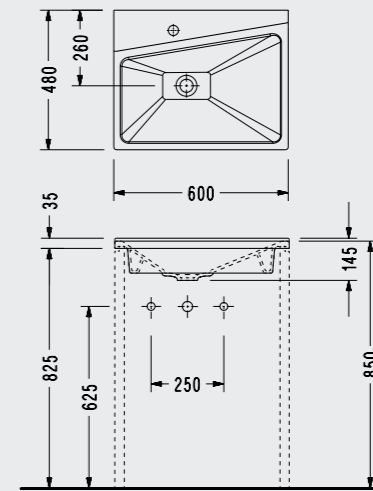
SEREL 4LIFE SEMI COUNTERTOP WASHBASIN (60 cm.)



FL44

Product	Technical Drawings	Code
---------	--------------------	------

SEREL 4LIFE COUNTERTOP WASHBASIN (60 cm.)



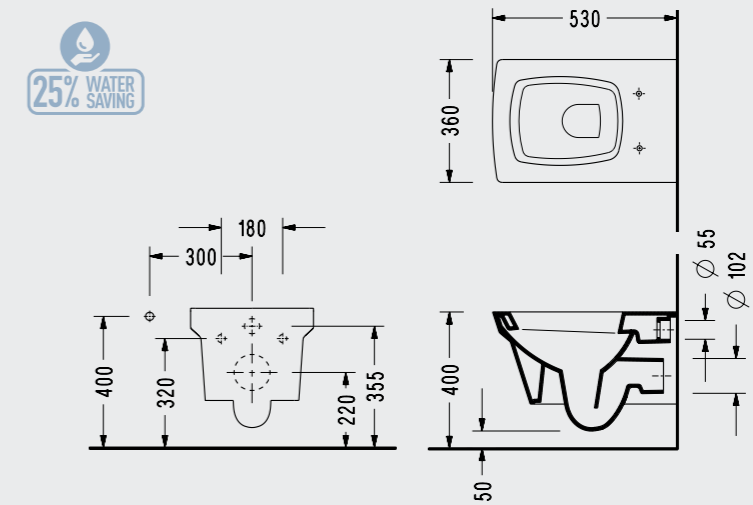
FL01

SEREL 4LIFE CERAMIC PLUG






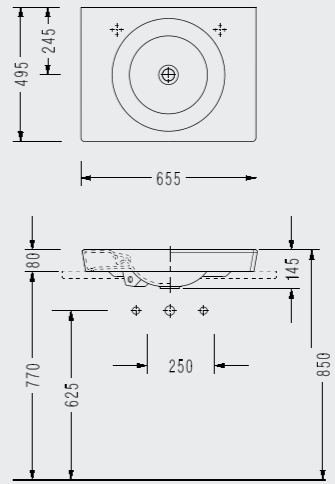

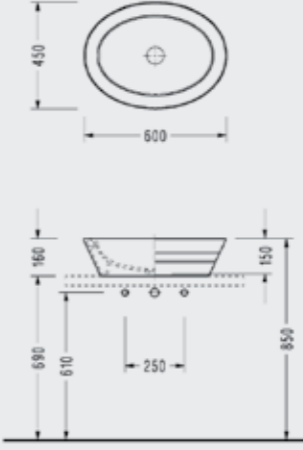

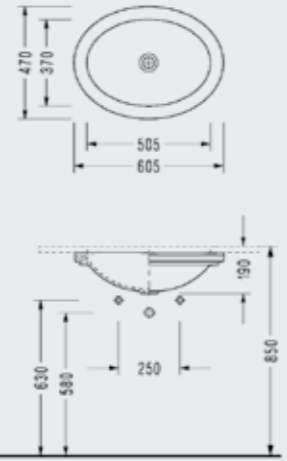
TP10STL110H

SEREL 4LIFE WALL HUNG WC PAN (53 cm.)



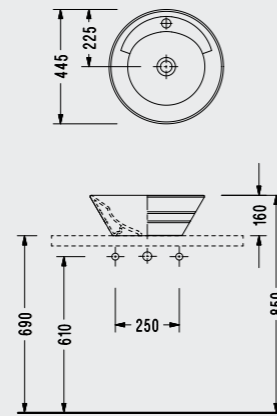
FL10

Product	Technical Drawings	Code
SEREL SIGMA SLIM SILENT CLOSE EASY-RELEASE SEAT AND COVER		
	 <p>SEREL® EasyRelease® SEREL® SilentClose®</p>	223SS00002

Product	Technical Drawings	Code
SEREL POSEDION COUNTERTOP RECTANGULAR WASHBASIN (65,5 cm.)		
 <p>SEREL EASY WASH</p> <p>Tap holes are optional</p>		PS30
SEREL POSEDION COUNTERTOP WASHBASIN (60 cm.)		
 <p>SEREL EASY WASH</p>		PS32
SEREL POSEDION UNDERCOUNTER WASHBASIN (50,5 cm.)		
 <p>SEREL EASY WASH</p>		PS46

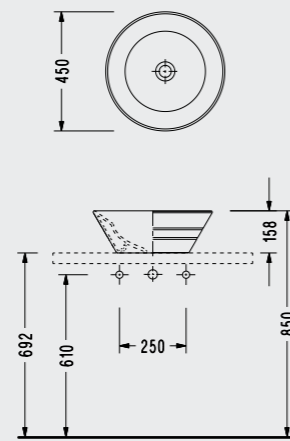
Product	Technical Drawings	Code
---------	--------------------	------

SEREL POSEDION COUNTERTOP WASHBASIN (Ø 44,5 cm.)



PS33

SEREL POSEDION COUNTERTOP WASHBASIN (Ø 45 cm.)

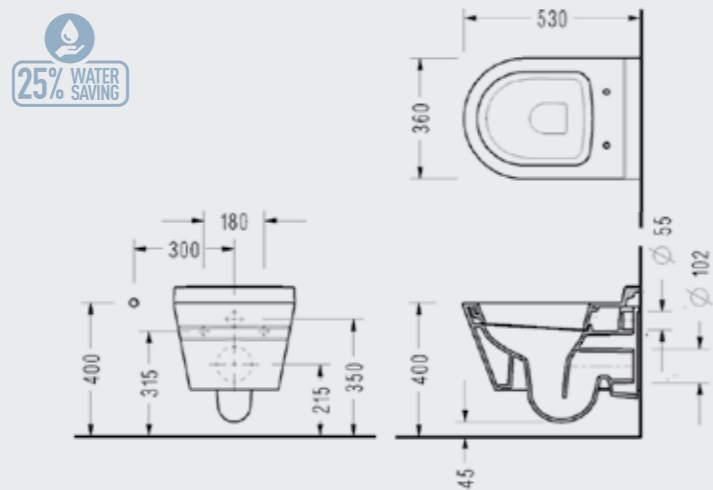


PS35

SEREL POSEDION WALL HUNG WC PAN (53 cm.)



SEREL EASY WASH



PS10

25% WATER SAVING

Product	Technical Drawings	Code
---------	--------------------	------

SEREL BETA SLIM SILENT CLOSE EASY-RELEASE SEAT AND COVER



SEREL® EasyRelease®  
SEREL® SilentClose®

223BS00002

Product	Technical Drawings	Code
SEREL FREESTANDING WASHBASIN (Ø 49,5 cm.)		1901

Product	Technical Drawings	Code
CERAMIC PLUG AND WASTE SIPHON UNIT		TP06STL110H

Product	Technical Drawings	Code
SEREL HERA COUNTERTOP WASHBASIN (60 cm.) <span style="background-color: #0070C0; color: white; padding: 2px;">NEW</span>		HR30

Product	Technical Drawings	Code
SEREL HERA COUNTERTOP WASHBASIN (60 cm.) <span style="background-color: #0070C0; color: white; padding: 2px;">NEW</span>		HR33

Product	Technical Drawings	Code
SEREL HERA COUNTERTOP WASHBASIN (60 cm.)		
<b>NEW</b>		HR34



Product	Technical Drawings	Code
SEREL PURITY WASHBASIN (100 cm.)		
		PR35 Washbasin (100 cm.)  150400300481 Waste Siphon Unit


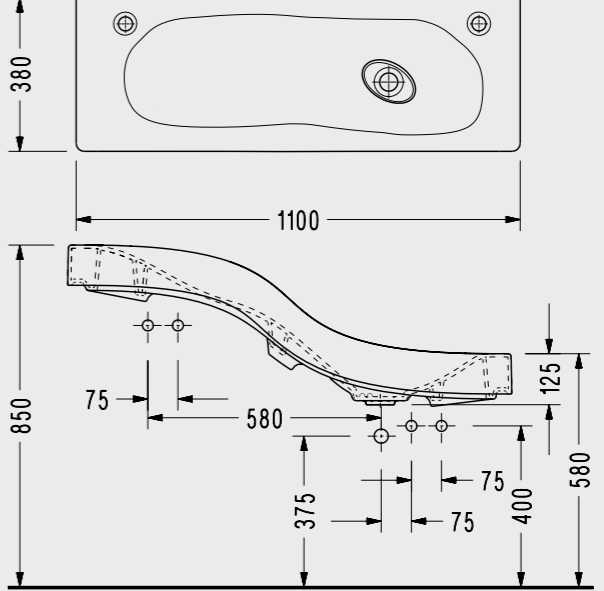




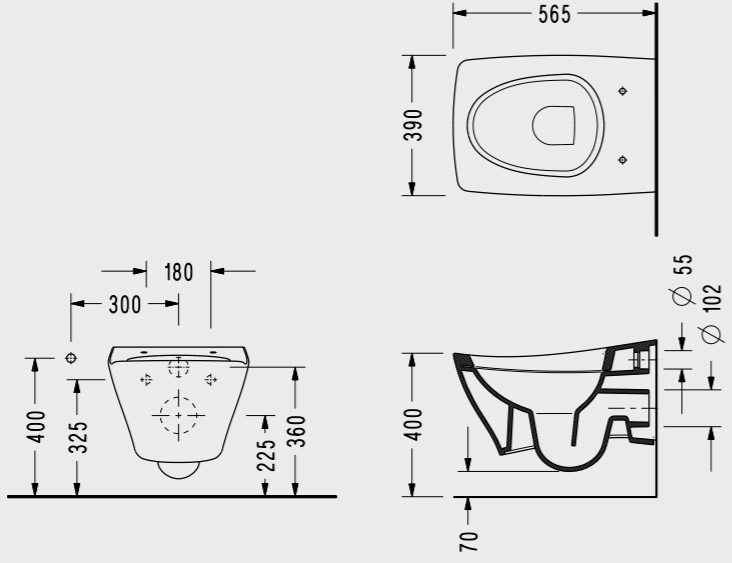
Product	Technical Drawings	Code
SEREL PURITY WALL HUNG WC PAN (52,5 cm.)		
		PR10






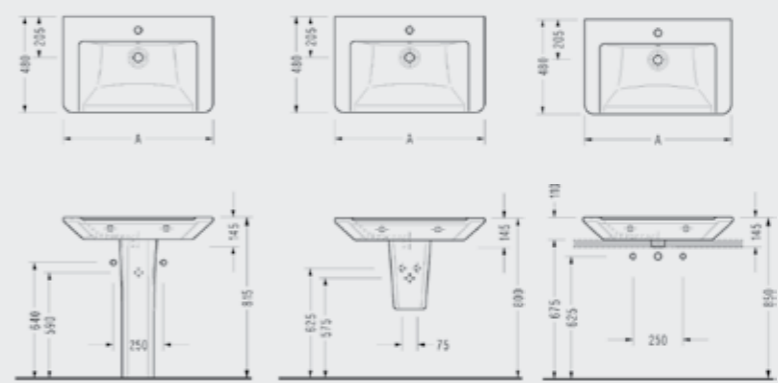



Product	Technical Drawings	Code
SEREL BETA SLIM SILENT CLOSE EASY-RELEASE SEAT AND COVER		
	 <p>SEREL® EasyRelease® SEREL® SilentClose®</p>	223BS00002

Product	Technical Drawings	Code
SEREL WAVE WASHBASIN (110 cm.)		
		3020
SEREL WAVE CERAMIC PLUG		
		TP20STL110H

Product	Technical Drawings	Code
SEREL WAVE WALL HUNG WC PAN (56,5 cm.)	 	3011

Product	Technical Drawings	Code
SEREL MARINE SILENT CLOSE EASY-RELEASE SEAT AND COVER	 	223MR00002

Product	Technical Drawings	Code								
SEREL DIAGONAL WASHBASIN	  <table border="1" data-bbox="2507 861 2656 1008"> <thead> <tr> <th></th> <th>A</th> </tr> </thead> <tbody> <tr> <td>DG01</td> <td>650</td> </tr> <tr> <td>DG30</td> <td>750</td> </tr> <tr> <td>DG35</td> <td>850</td> </tr> </tbody> </table>		A	DG01	650	DG30	750	DG35	850	<p>DG01 Washbasin (65 cm.)</p> <p>DG30 Washbasin (75 cm.)</p> <p>DG35 Washbasin (85 cm.)</p> <p>DG05 Full Pedestal</p> <p>DG21 Semi Pedestal</p>
	A									
DG01	650									
DG30	750									
DG35	850									

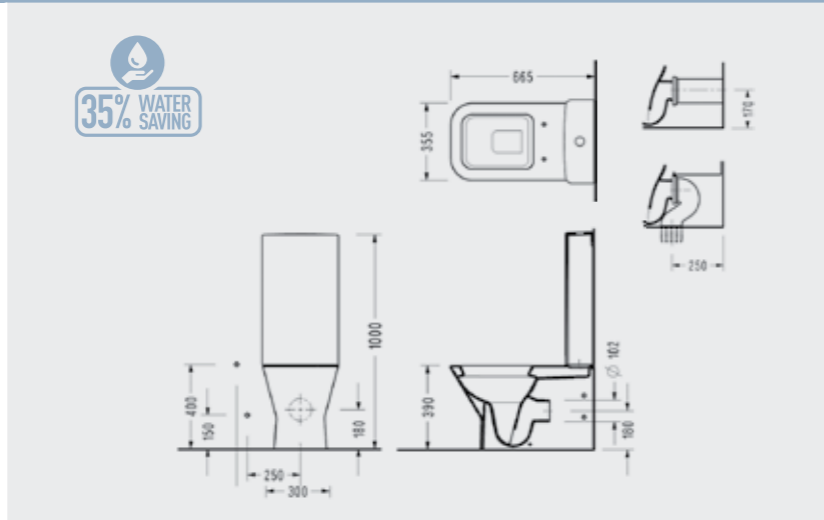
Product	Technical Drawings	Code
CERAMIC PLUG AND WASTE SIPHON UNIT		TP08STL110H

Product	Technical Drawings	Code
---------	--------------------	------

SEREL DIAGONAL BTW CLOSE-COUPLED WC PAN (66,5 cm.) + SEREL AMADIS JACKET CISTERN



Compatible with 150400400169  
Flush Mechanism for Jacket Cistern.

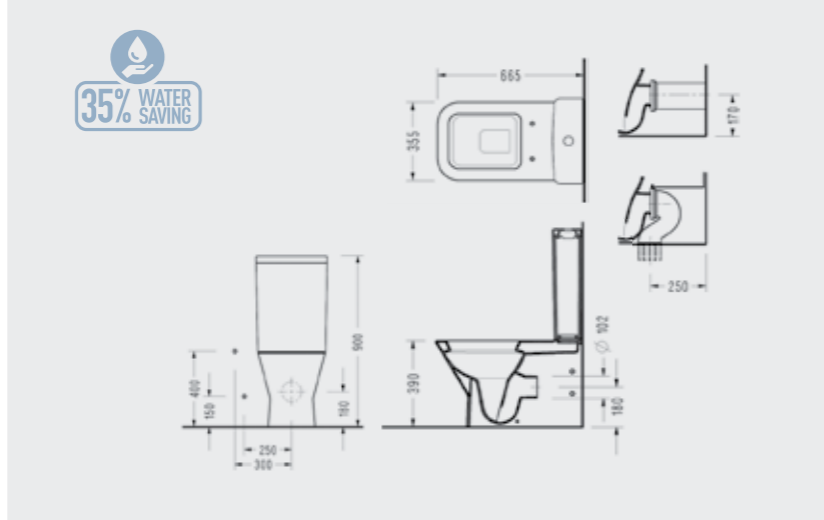


DG02  
BTW Close Coupled WC Pan  
(66,5 cm.)  
  
AD46  
Jacket Cistern

SEREL DIAGONAL BTW CLOSE-COUPLED WC PAN (66,5 cm.) + SEREL AMADIS TALL CISTERN



Compatible with 150400400002  
Magnesia Flush Mechanism.

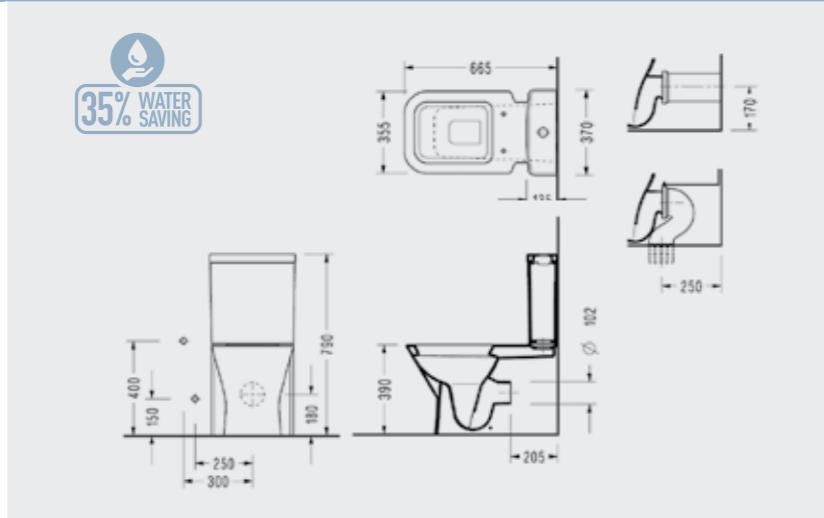


DG02  
BTW Close Coupled WC Pan  
(66,5 cm.)  
  
AD29  
Tall Cistern

SEREL DIAGONAL BTW CLOSE-COUPLED WC PAN (66,5 cm.) + SEREL DIAGONAL THIN CISTERN



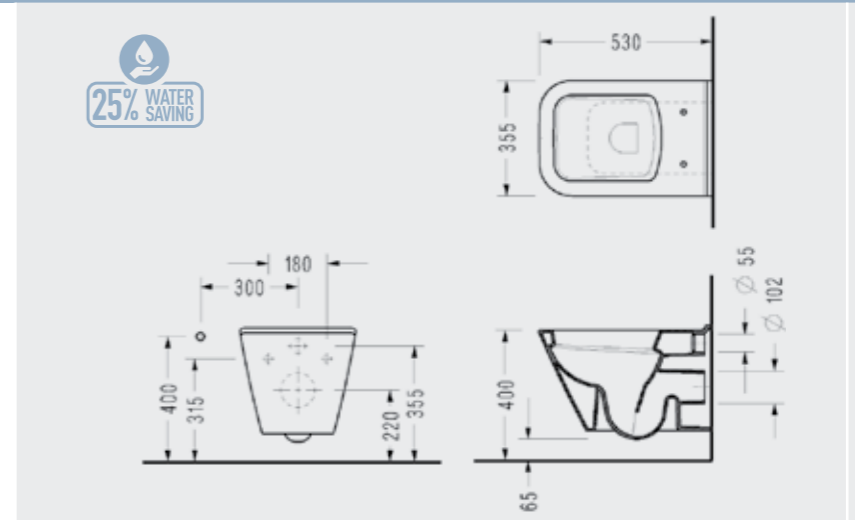
Compatible with 150400400007  
Kibele Flush Mechanism.



DG02  
BTW Close Coupled WC Pan  
(66,5 cm.)  
  
DG48  
Thin Cistern

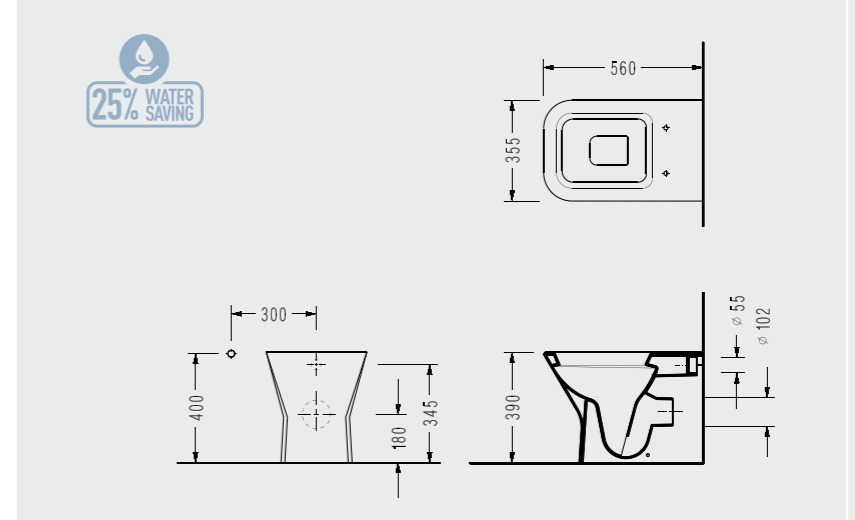
Product	Technical Drawings	Code
---------	--------------------	------

SEREL DIAGONAL WALL HUNG WC PAN (53 cm.)



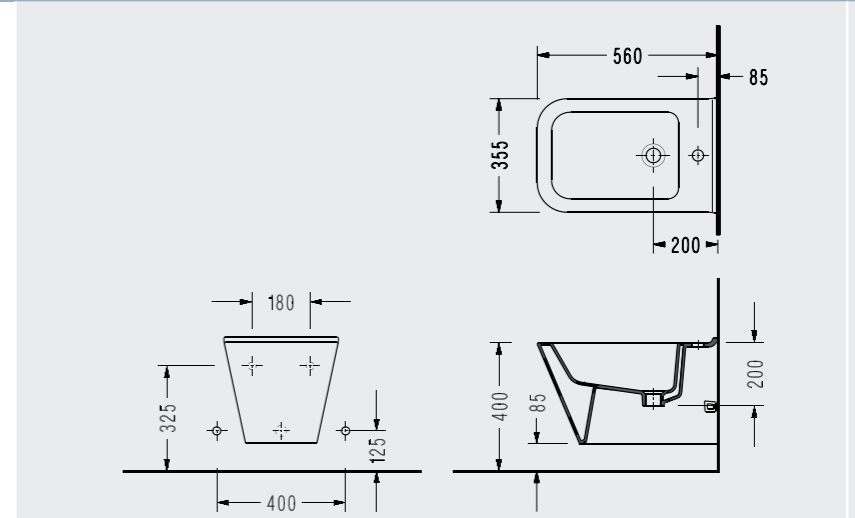
DG10

SEREL DIAGONAL SINGLE BTW WC PAN (56 cm.)

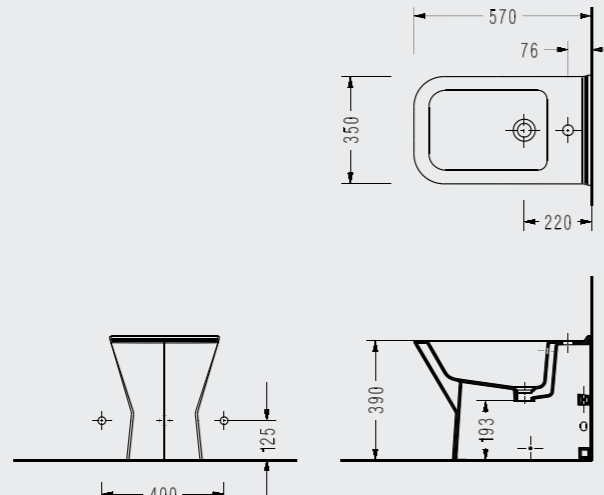



DG11

SEREL DIAGONAL WALL HUNG BIDET (56 cm.)

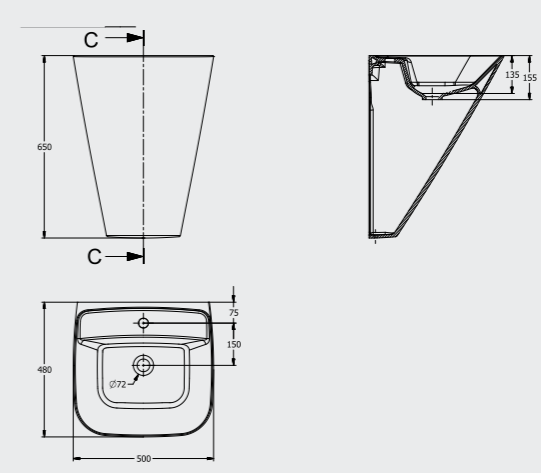


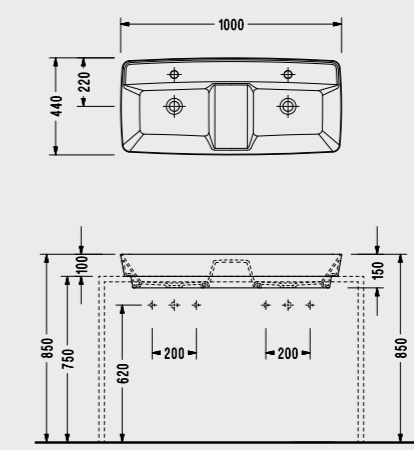
DG19

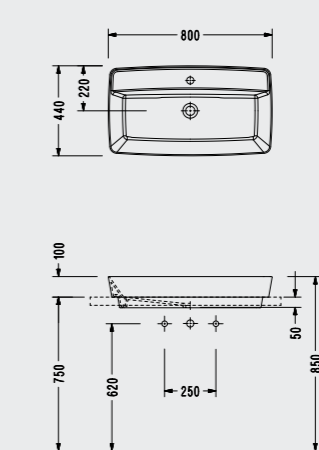
Product	Technical Drawings	Code
SEREL DIAGONAL BTW BIDET (57 cm.)		DG03

Product	Technical Drawings	Code
SEREL ZETA SLIM SILENT CLOSE EASY-RELEASE SEAT AND COVER	 <p>SEREL® EasyRelease® SEREL® SilentClose®</p>	223ZS00002

Product	Technical Drawings	Code
SEREL ZETA SILENT CLOSE EASY-RELEASE SEAT AND COVER	 <p>SEREL® EasyRelease® SEREL® SilentClose®</p>	223ZT00002

Product	Technical Drawings	Code
SEREL RITA MONOBLOCK WALL HUNG WASHBASIN (50 cm.)		RT27

Product	Technical Drawings	Code
SEREL RITA COUNTERTOP DOUBLE BOWL WASHBASIN (100 cm.)		RT32

Product	Technical Drawings	Code
SEREL RITA COUNTERTOP SLIM WASHBASIN (80 cm.)		RT42

Product	Technical Drawings	Code
SEREL RITA COUNTERTOP SLIM WASHBASIN (59 cm.)		RT30

SEREL RITA COUNTERTOP SLIM WASHBASIN (59 cm.)		RT47
---	--	------

SEREL RITA COUNTERTOP BUILT-IN SLIM WASHBASIN (60 cm.)		RT34
--	--	------

Product	Technical Drawings	Code
CERAMIC PLUG AND WASTE SIPHON UNIT		TP08STL110H

SEREL RITA WALL HUNG WC PAN (52 cm.)		RT26
--------------------------------------	--	------

SEREL RITA WALL HUNG WC PAN (52 cm.)		RT10
--------------------------------------	--	------

Product	Technical Drawings	Code
SEREL RITA WALL HUNG BIDET (57 cm.)		RT19

Product	Technical Drawings	Code
SEREL ZETA SLIM SILENT CLOSE EASY-RELEASE SEAT AND COVER	<p>SEREL® EasyRelease® SEREL® SilentClose®</p>	223ZS00002

Product	Technical Drawings	Code
SEREL ZETA SILENT CLOSE EASY-RELEASE SEAT AND COVER	<p>SEREL® EasyRelease® SEREL® SilentClose®</p>	223ZT00002

Product	Technical Drawings	Code
SEREL SAPPHIRE DOUBLE BOWL WASHBASIN (120 cm.)	<p>Tap holes are optional.</p>	SP32

Product	Technical Drawings	Code
SEREL SAPPHIRE WASHBASIN WITH RIGHT SHELF (80 cm.)	<p>Tap holes are optional.</p>	SP41

Product	Technical Drawings	Code
SEREL SAPPHIRE WASHBASIN WITH RIGHT SHELF (80 cm.)	<p>Tap holes are optional.</p>	SP35



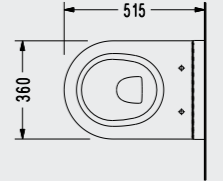
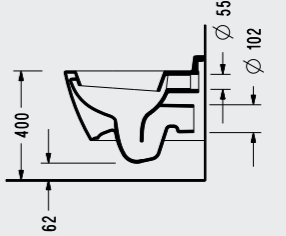


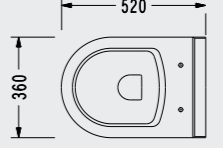
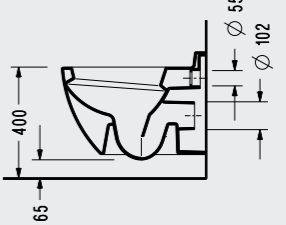

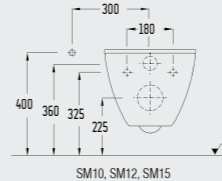
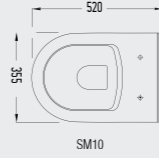
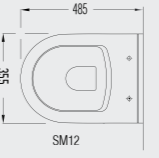
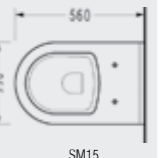
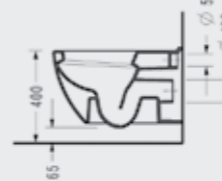



Product	Technical Drawings	Code
SEREL SAPPHIRE COUNTERTOP BUILT-IN SLIM WASHBASIN (60 cm.)		SP33
SEREL SAPPHIRE COUNTERTOP SLIM WASHBASIN (59,5 cm.)		SP46
SEREL SAPPHIRE COUNTERTOP SLIM WASHBASIN (50 cm.)		SP36

Eleks Diş Ticaret A.Ş. reserves the right to change the appearance, technical details of their products and price.

Product	Technical Drawings	Code
SEREL SAPPHIRE COUNTERTOP SLIM WASHBASIN WITH RIGHT SHELF (50 cm.)	<p>Tap holes are optional.</p>	SP40
SEREL SAPPHIRE WALL HUNG WC PAN (52 cm.)	<p>SEREL PURE WASH</p>	SP26
SEREL SAPPHIRE WALL HUNG WC PAN (52 cm.)	<p>25% WATER SAVING</p>	SP10

The images and technical drawings in the catalogue are for illustration purposes only.

Product	Technical Drawings	Code
SEREL BETA SLIM SILENT CLOSE EASY-RELEASE SEAT AND COVER		
	 <p>SEREL® EasyRelease® SEREL® SilentClose®</p>	223BS00002
SEREL BETA SILENT CLOSE EASY-RELEASE SEAT AND COVER		
	 <p>SEREL® EasyRelease® SEREL® SilentClose®</p>	223BT00002
SEREL SPIL STANDARD ADJUSTABLE HINGED SEAT AND COVER		
		2276001002

Product	Technical Drawings	Code
SEREL SMART WALL HUNG WC PAN (51,5 cm.)		
	  	SM25
SEREL SMART WALL HUNG WC PAN (52 cm.)		
	  	SM23
SEREL SMART WALL HUNG WC PAN		
	       	<p>SM10 Wall Hung WC Pan (52 cm.)</p> <p>SM12 Wall Hung WC Pan (48,5 cm)</p> <p>SM15 Wall Hung WC Pan (56 cm.)</p>



Product	Technical Drawings	Code
SEREL SMART WALL HUNG WC PAN (52 cm.)		SM46
SEREL SMART WALL HUNG WC PAN (52 cm.)		SM26
SEREL SMART SINGLE BTW WC PAN (56 cm.)		SM11

Product	Technical Drawings	Code
SEREL SMART BTW BIDET (56 cm.)		SM03
SEREL SMART WALL HUNG BIDET (53 cm.)		SM29
SEREL SMART WALL HUNG BIDET (56 cm.)		SM19

Product	Technical Drawings	Code
---------	--------------------	------

SEREL BETA SLIM SILENT CLOSE EASY-RELEASE SEAT AND COVER



SEREL® EasyRelease®  
SEREL® SilentClose®

223BS0002

SEREL BETA SILENT CLOSE EASY-RELEASE SEAT AND COVER



SEREL® EasyRelease®  
SEREL® SilentClose®

223BT0002

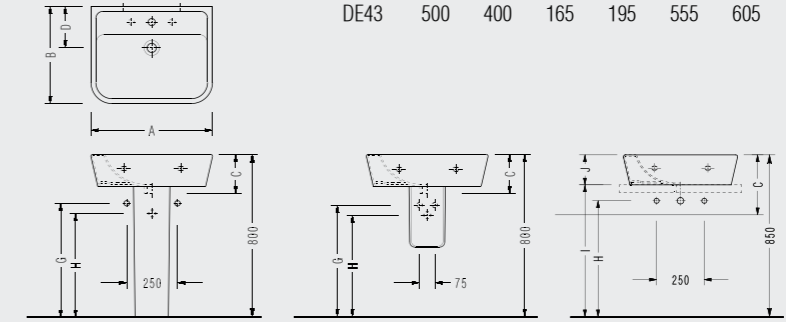
SEREL SPIL STANDARD ADJUSTABLE HINGED SEAT AND COVER



2276001002

Product	Technical Drawings	Code
---------	--------------------	------

SEREL DELTA SLIM WASHBASIN



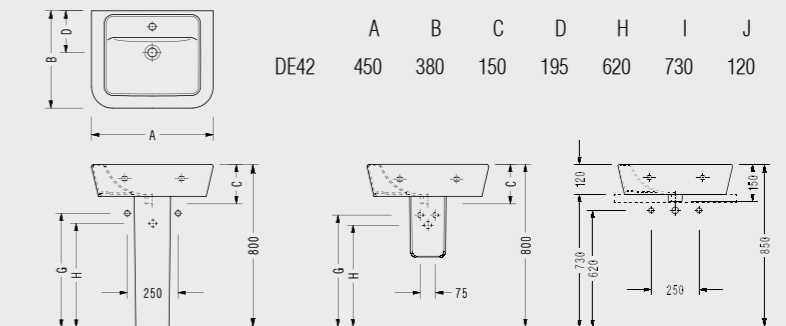
DE30  
Slim Washbasin  
(60 cm.)

DE43  
Slim Washbasin  
(50 cm.)

DE05  
Full Pedestal

DE21  
Semi Pedestal

SEREL DELTA SLIM WASHBASIN (45 cm.)



DE42  
Washbasin  
(45 cm.)

DE05  
Full Pedestal

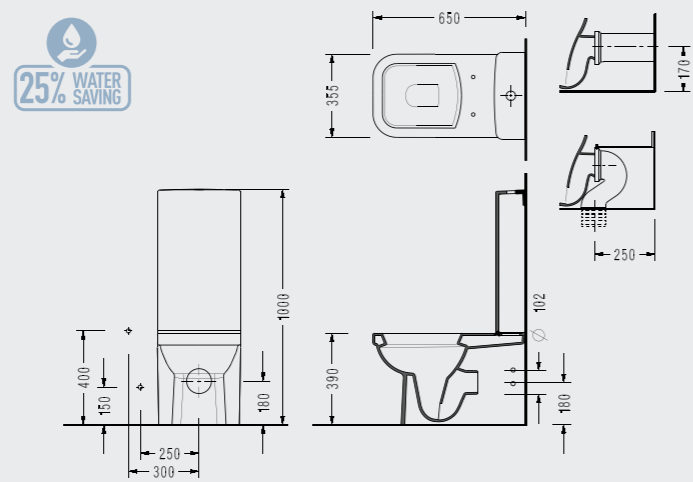
DE21  
Semi Pedestal

Product	Technical Drawings	Code
---------	--------------------	------

SEREL STAR BTW CLOSE-COUPLED WC PAN (65 cm.) + SEREL AMADIS JACKET CISTERN



Compatible with 150400400169  
Flush Mechanism for Jacket Cistern.

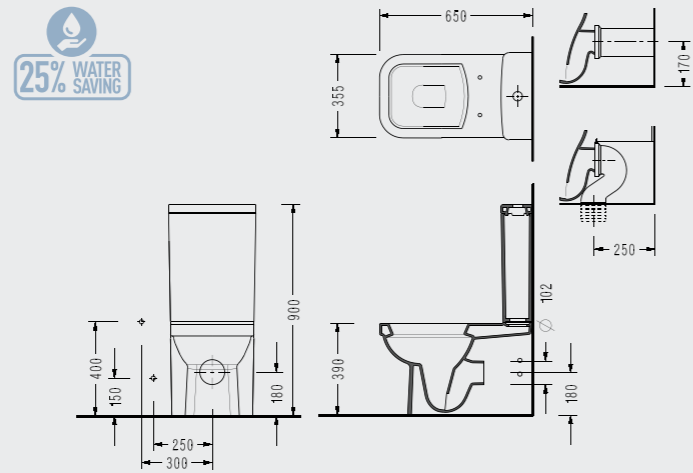


SA02  
BTW Close-Coupled WC Pan  
(65 cm.)  
  
AD46  
Jacket Cistern

SEREL STAR BTW CLOSE-COUPLED WC PAN (65 cm.) + SEREL AMADIS TALL CISTERN



Compatible with 150400400002  
Magnesia Flush Mechanism.

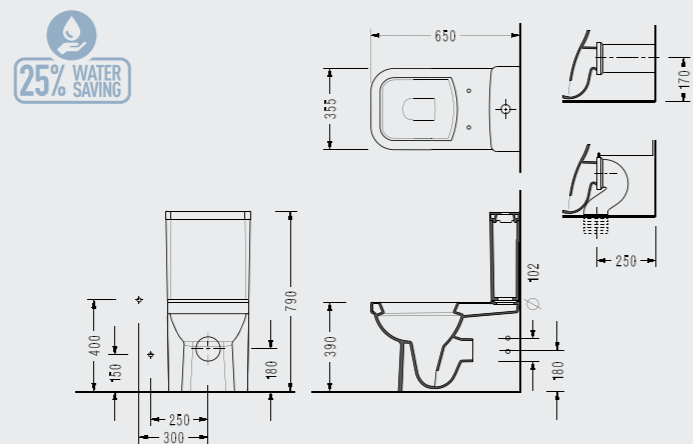


SA02  
BTW Close-Coupled WC Pan  
(65 cm.)  
  
AD29  
Tall Cistern

SEREL STAR BTW CLOSE-COUPLED WC PAN (65 cm.) + SEREL DIAGONAL THIN CISTERN



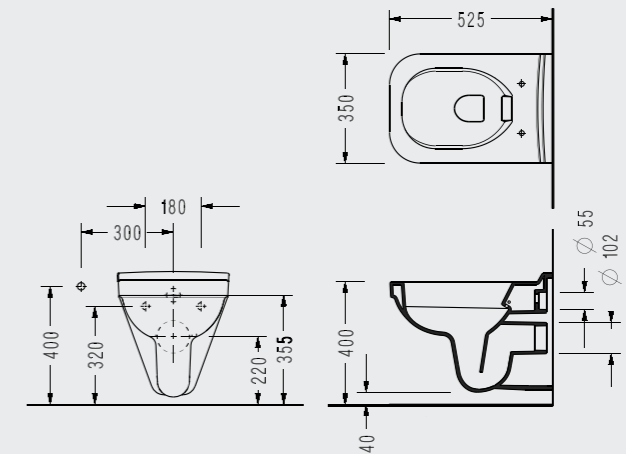
Compatible with 150400400007  
Kibele Flush Mechanism.



SA02  
BTW Close-Coupled WC Pan  
(65 cm.)  
  
DG48  
Thin Cistern

Product	Technical Drawings	Code
---------	--------------------	------

SEREL STAR WALL HUNG WC PAN (52,5 cm.)



SA26

SEREL ZETA SLIM SILENT CLOSE EASY-RELEASE SEAT AND COVER



SEREL® EasyRelease®  
SEREL® SilentClose®

223ZS00002

SEREL ZETA SILENT CLOSE EASY-RELEASE SEAT AND COVER



SEREL® EasyRelease®  
SEREL® SilentClose®

223ZT00002

Product	Technical Drawings	Code
SEREL NITA RECTANGULAR WASHBASIN WITH SHELF (100 cm.)		NT40
SEREL NITA RECTANGULAR WASHBASIN WITH SHELF (80 cm.)		NT42
SEREL NITA RECTANGULAR WASHBASIN WITH SHELF (65 cm.)		NT30

Eleks Diş Ticaret A.Ş. reserves the right to change the appearance, technical details of their products and price.

Product	Technical Drawings	Code
SEREL NITA BTW CLOSE-COUPLED WC PAN (63 cm.) + SEREL FRIENDLY CISTERN		<p>NT02 BTW Close-Coupled WC Pan (63 cm.)</p> <p>6748 Cistern</p>
SEREL NITA WALL HUNG WC PAN (52 cm.)		NT23
SEREL NITA BTW CLOSE-COUPLED WC PAN (63 cm.) + SEREL FRIENDLY CISTERN		<p>NT12 BTW Close-Coupled WC Pan (63 cm.)</p> <p>6748 Cistern</p>

Compatible with 150400400007 Kibebe Flush Mechanism.

Compatible with 150400400007 Kibebe Flush Mechanism.

The images and technical drawings in the catalogue are for illustration purposes only.

Product	Technical Drawings	Code
SEREL NITA WALL HUNG WC PAN (52 cm.)	<p>25% WATER SAVING</p> <p>Dimensions: 520 (width), 355 (height), 180 (seat width), 300 (pan width), 400 (total height), 315 (pan height), 225 (pan depth), 360 (total depth), 65 (base height), 55 (flush valve offset), 102 (flush valve diameter).</p>	NT10


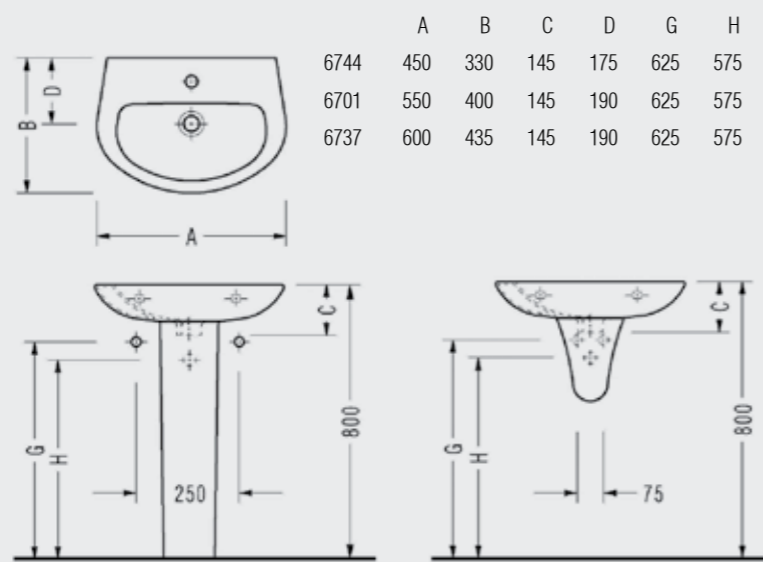
Product	Technical Drawings	Code
SEREL BETA SLIM SILENT CLOSE EASY-RELEASE SEAT AND COVER	<p>EASY-RELEASE FUNCTION</p> <p>SEREL® EasyRelease® SEREL® SilentClose®</p>	223BS00002


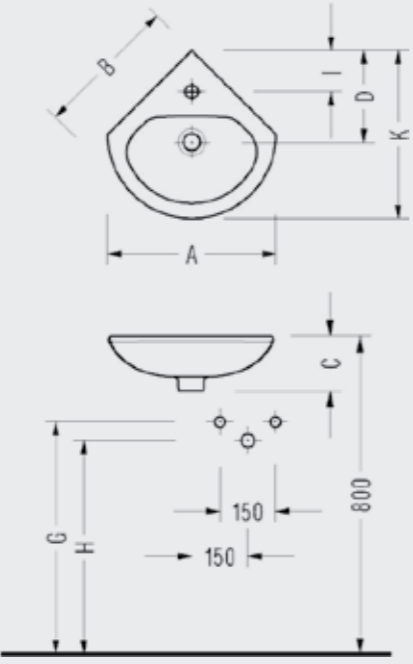
Product	Technical Drawings	Code
SEREL BETA SILENT CLOSE EASY-RELEASE SEAT AND COVER	<p>EASY-RELEASE FUNCTION</p> <p>SEREL® EasyRelease® SEREL® SilentClose®</p>	223BT00002


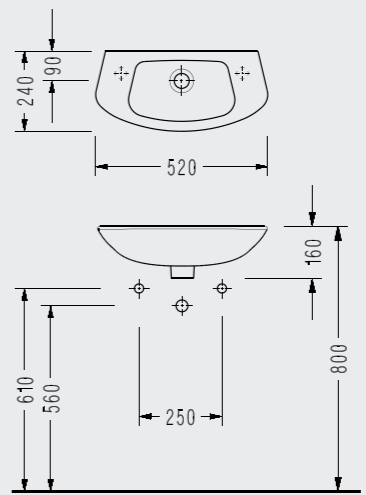

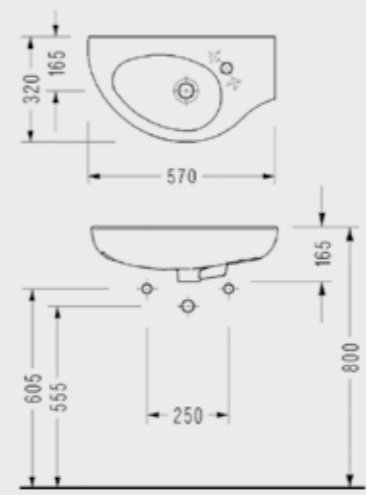

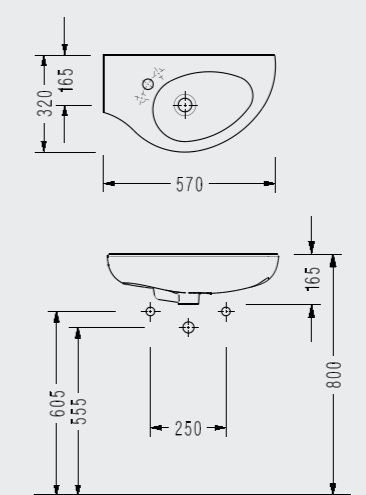
Product	Technical Drawings	Code
SEREL SPIL STANDARD ADJUSTABLE HINGED SEAT AND COVER		2276001002

Product	Technical Drawings	Code
SEREL ZETA SLIM SILENT CLOSE EASY-RELEASE SEAT AND COVER	<p>EASY-RELEASE FUNCTION</p> <p>SEREL® EasyRelease® SEREL® SilentClose®</p>	223ZS00002

Product	Technical Drawings	Code
SEREL ZETA SILENT CLOSE EASY-RELEASE SEAT AND COVER	<p>EASY-RELEASE FUNCTION</p> <p>SEREL® EasyRelease® SEREL® SilentClose®</p>	223ZT00002

Product	Technical Drawings	Code																												
<b>SEREL FRIENDLY WASHBASIN</b>																														
	 <table border="1"> <thead> <tr> <th></th> <th>A</th> <th>B</th> <th>C</th> <th>D</th> <th>G</th> <th>H</th> </tr> </thead> <tbody> <tr> <td>6744</td> <td>450</td> <td>330</td> <td>145</td> <td>175</td> <td>625</td> <td>575</td> </tr> <tr> <td>6701</td> <td>550</td> <td>400</td> <td>145</td> <td>190</td> <td>625</td> <td>575</td> </tr> <tr> <td>6737</td> <td>600</td> <td>435</td> <td>145</td> <td>190</td> <td>625</td> <td>575</td> </tr> </tbody> </table>		A	B	C	D	G	H	6744	450	330	145	175	625	575	6701	550	400	145	190	625	575	6737	600	435	145	190	625	575	<p>6737 Washbasin (60 cm.)</p> <p>6701 Washbasin (55 cm.)</p> <p>6744 Washbasin (45 cm.)</p> <p>6705 Full Pedestal</p> <p>6721 Semi Pedestal</p>
			A	B	C	D	G	H																						
6744	450	330	145	175	625	575																								
6701	550	400	145	190	625	575																								
6737	600	435	145	190	625	575																								

Product	Technical Drawings	Code																											
<b>SEREL FRIENDLY CORNER WASHBASIN</b>																													
	 <table border="1"> <thead> <tr> <th></th> <th>A</th> <th>B</th> <th>C</th> <th>D</th> <th>G</th> <th>H</th> <th>I</th> <th>K</th> </tr> </thead> <tbody> <tr> <td>6743</td> <td>550</td> <td>470</td> <td>165</td> <td>300</td> <td>605</td> <td>555</td> <td>145</td> <td>550</td> </tr> <tr> <td>6736</td> <td>450</td> <td>385</td> <td>150</td> <td>245</td> <td>620</td> <td>570</td> <td>110</td> <td>450</td> </tr> </tbody> </table>		A	B	C	D	G	H	I	K	6743	550	470	165	300	605	555	145	550	6736	450	385	150	245	620	570	110	450	<p>6743 Washbasin (55 cm.)</p> <p>6736 Washbasin (45 cm.)</p>
			A	B	C	D	G	H	I	K																			
6743	550	470	165	300	605	555	145	550																					
6736	450	385	150	245	620	570	110	450																					

Product	Technical Drawings	Code
<b>SEREL FRIENDLY CLOAKROOM WASHBASIN (52 cm.)</b>		
	 <p>Tap holes are optional.</p>	6740
		<b>SEREL FRIENDLY OFF-SET RIGHT WASHBASIN (57 cm.)</b>
		6741
		<b>SEREL FRIENDLY OFF-SET LEFT WASHBASIN (57 cm.)</b>
		6742

Product	Technical Drawings	Code
SEREL FRIENDLY SEMI-RECESSED WASHBASIN (51 cm.)		6734


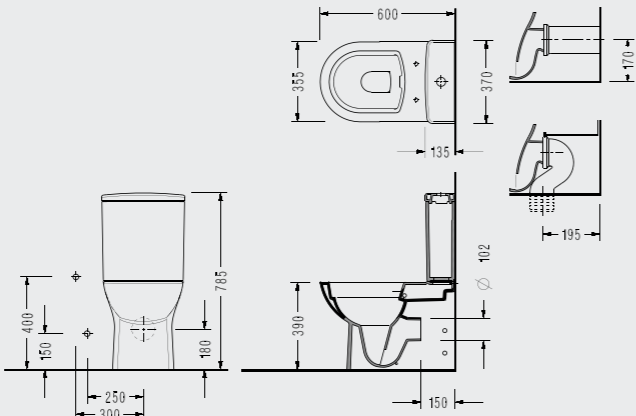
Product	Technical Drawings	Code
SEREL FRIENDLY BTW CLOSE-COUPLED WC PAN (61 cm.) + SEREL AMADIS JACKET CISTERN		<p>6712 BTW Close-Coupled WC Pan (61 cm.)</p> <p>AD46 Jacket Cistern</p>


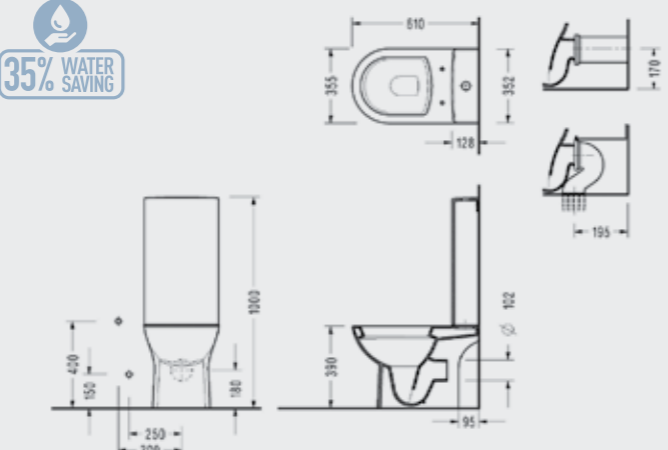
Product	Technical Drawings	Code
SEREL FRIENDLY BTW CLOSE-COUPLED WC PAN (61 cm.) + SEREL AMADIS TALL CISTERN		<p>6712 BTW Close-Coupled WC Pan (61 cm.)</p> <p>AD29 Tall Cistern</p>


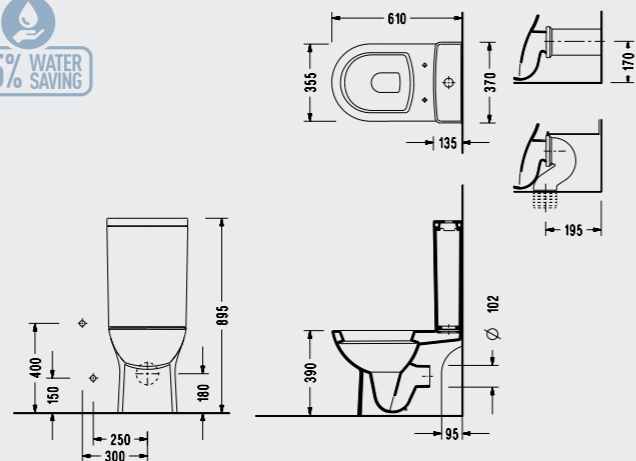
Product	Technical Drawings	Code
SEREL FRIENDLY BTW CLOSE-COUPLED WC PAN (61 cm.) + SEREL FRIENDLY CISTERN		<p>6712 BTW Close-Coupled WC Pan (61 cm.)</p> <p>6748 Cistern</p>


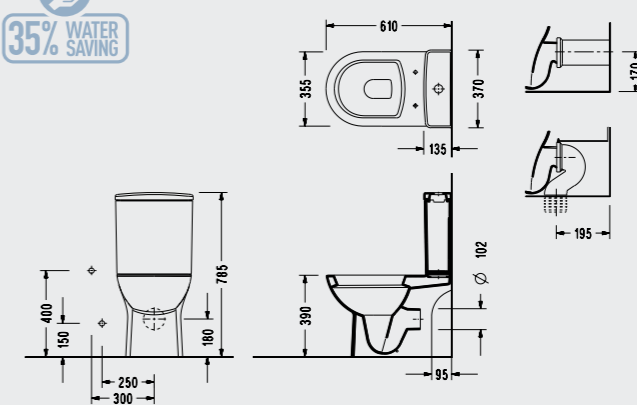
Product	Technical Drawings	Code
SEREL FRIENDLY BTW CLOSE-COUPLED WC PAN (60 cm.) + SEREL AMADIS JACKET CISTERN		<p>6726 BTW Close-Coupled WC Pan (60 cm.)</p> <p>AD46 Jacket Cistern</p>


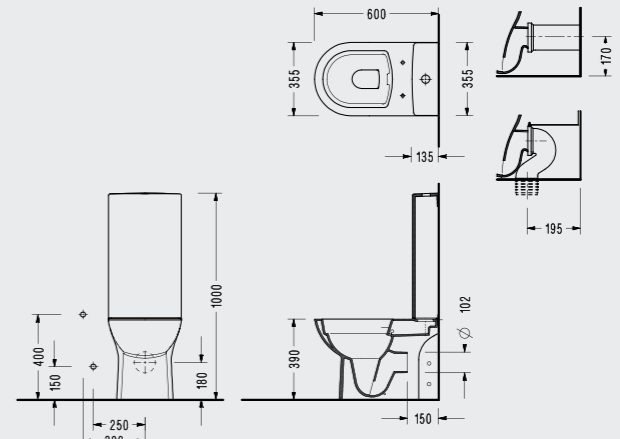
Product	Technical Drawings	Code
SEREL FRIENDLY BTW CLOSE-COUPLED WC PAN (60 cm.) + SEREL AMADIS TALL CISTERN		<p>6726 BTW Close-Coupled WC Pan (60 cm.)</p> <p>AD29 Tall Cistern</p>


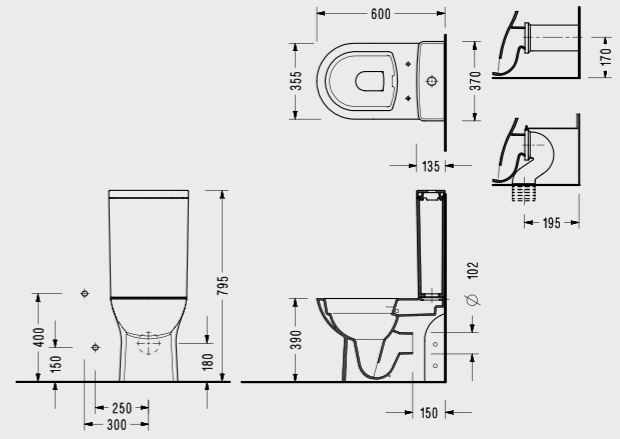
Product	Technical Drawings	Code
<b>SEREL FRIENDLY BTW CLOSE-COUPLED WC PAN (60 cm.) + SEREL FRIENDLY CISTERN</b>		
 <p><b>SEREL PURE WASH</b></p> <p>Compatible with 150400400007 Kibele Flush Mechanism.</p>		<p>6726 BTW Close-Coupled WC Pan (60 cm.)</p> <p>6748 Cistern</p>

Product	Technical Drawings	Code
<b>SEREL FRIENDLY SEMI BTW CLOSE-COUPLED WC PAN (61 cm.) + SEREL AMADIS JACKET CISTERN</b>		
 <p><b>35% WATER SAVING</b></p> <p>Compatible with 150400400169 Flush Mechanism for Jacket Cistern.</p>		<p>6716 Semi BTW Close-Coupled WC Pan (61 cm.)</p> <p>AD46 Jacket Cistern</p>


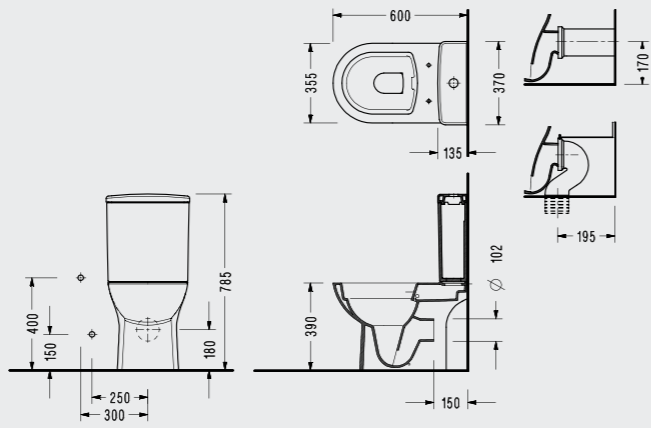
Product	Technical Drawings	Code
<b>SEREL FRIENDLY SEMI BTW CLOSE-COUPLED WC PAN (61 cm.) + SEREL AMADIS TALL CISTERN</b>		
 <p><b>35% WATER SAVING</b></p> <p>Compatible with 150400400002 Magnesia Flush Mechanism.</p>		<p>6716 Semi BTW Close-Coupled WC Pan (61 cm.)</p> <p>AD29 Tall Cistern</p>


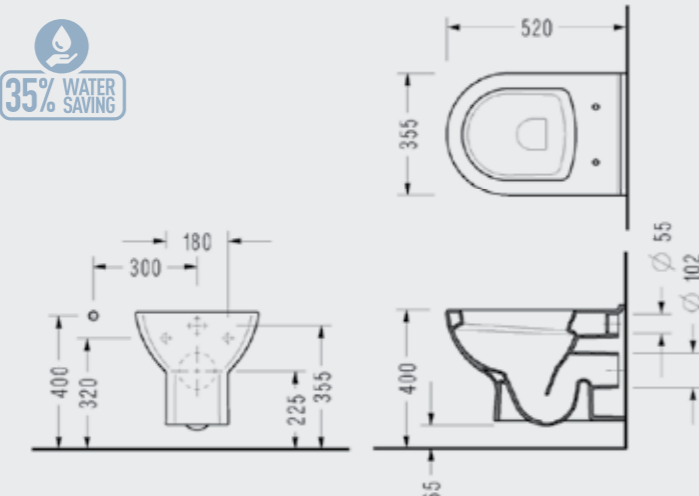
Product	Technical Drawings	Code
<b>SEREL FRIENDLY SEMI BTW CLOSE-COUPLED WC PAN (61 cm.) + SEREL FRIENDLY CISTERN</b>		
 <p><b>35% WATER SAVING</b></p> <p>Compatible with 150400400007 Kibele Flush Mechanism.</p>		<p>6716 Semi BTW Close-Coupled WC Pan (61 cm.)</p> <p>6748 Cistern</p>


Product	Technical Drawings	Code
<b>SEREL FRIENDLY SEMI BTW CLOSE-COUPLED WC PAN (60 cm.) + SEREL AMADIS JACKET CISTERN</b>		
 <p><b>SEREL PURE WASH</b></p> <p>Compatible with 150400400169 Flush Mechanism for Jacket Cistern.</p>		<p>6746 Semi BTW Close-Coupled WC Pan (60 cm.)</p> <p>AD46 Jacket Cistern</p>


Product	Technical Drawings	Code
<b>SEREL FRIENDLY SEMI BTW CLOSE-COUPLED WC PAN (60 cm.) + SEREL AMADIS TALL CISTERN</b>		
 <p><b>SEREL PURE WASH</b></p> <p>Compatible with 150400400002 Magnesia Flush Mechanism.</p>		<p>6746 Semi BTW Close-Coupled WC Pan (60 cm.)</p> <p>AD29 Tall Cistern</p>




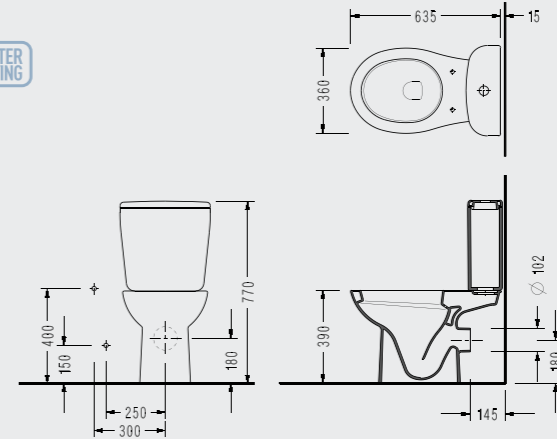
Product	Technical Drawings	Code
SEREL FRIENDLY SEMI BTW CLOSE-COUPLED WC PAN (60 cm.) + SEREL FRIENDLY CISTERN		
 <p>Compatible with 150400400007 Kibebe Flush Mechanism.</p>		<p>6746 Semi BTW Close-Coupled WC Pan (60 cm.)</p> <p>6748 Cistern</p>


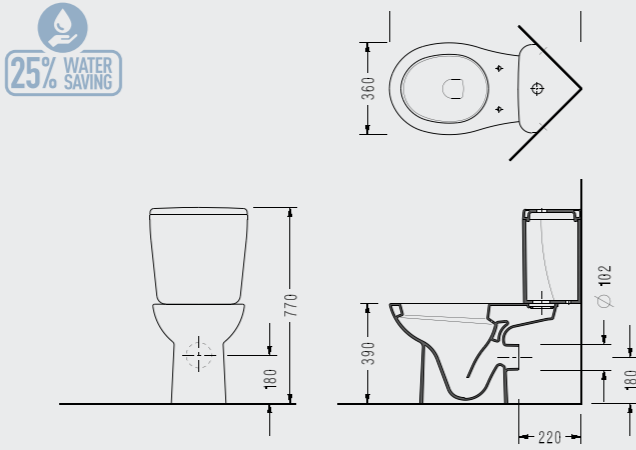
Product	Technical Drawings	Code
SEREL FRIENDLY WALL HUNG WC PAN (52 cm.)		
		6710


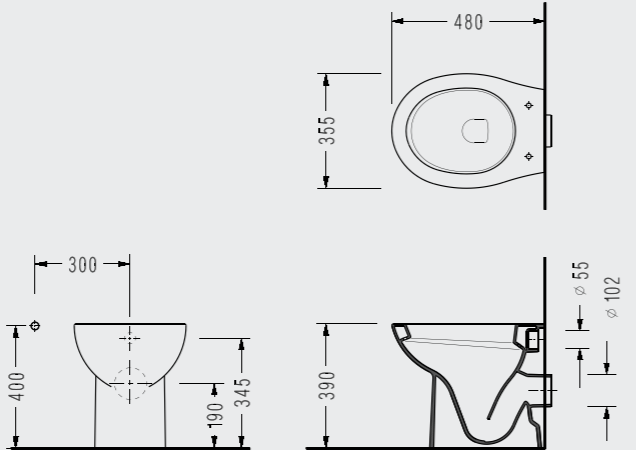
Product	Technical Drawings	Code
SEREL BETA SLIM SILENT CLOSE EASY-RELEASE SEAT AND COVER		
	<p>EASY-RELEASE FUNCTION</p> <p>SEREL® EasyRelease® SEREL® SilentClose®</p>	223BS00002



Product	Technical Drawings	Code
SEREL BETA SILENT CLOSE EASY-RELEASE SEAT AND COVER		
	<p>EASY-RELEASE FUNCTION</p> <p>SEREL® EasyRelease® SEREL® SilentClose®</p>	223BT00002


Product	Technical Drawings	Code
SEREL SPIL STANDARD ADJUSTABLE HINGED SEAT AND COVER		
		2276001002


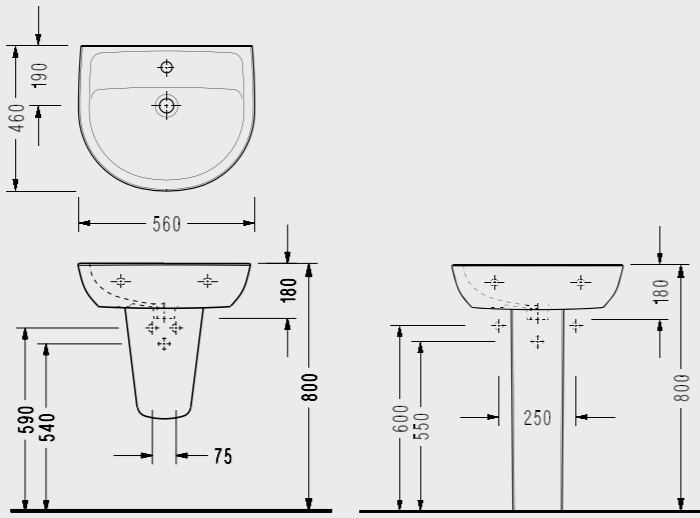
Product	Technical Drawings	Code
SEREL FRIENDLY P-TRAP CLOSE-COUPLED WC PAN (63,5 cm.)		
 <p>Compatible with 150400400007 Kibebe and 1504004000079 Niobe Flush Mechanisms.</p>		<p>6706 P-Trap Close-Coupled WC Pan (63,5 cm.)</p> <p>6704 Cistern</p>


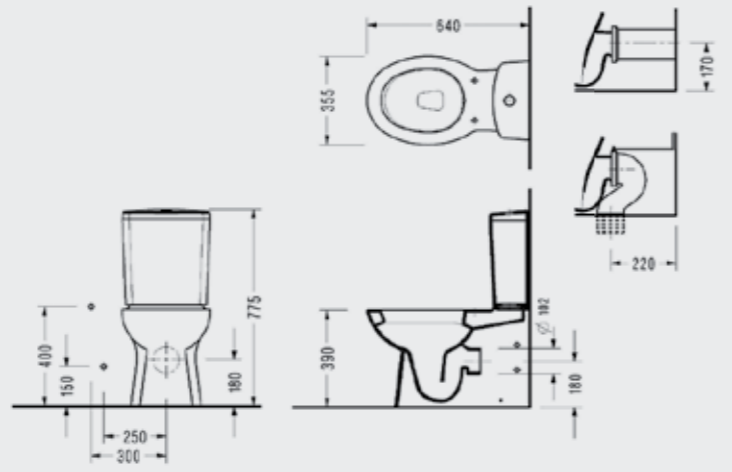
Product	Technical Drawings	Code
SEREL FRIENDLY P-TRAP CLOSE-COUPLED WC PAN (63,5 cm.)		
 <p>Compatible with 150400400007 Kibele and 150400400079 Niobe Flush Mechanisms.</p>	 <p>25% WATER SAVING</p>	<p>6706 P-Trap Close-Coupled WC Pan (63,5 cm.)</p> <p>6724 Corner Cistern</p>

SEREL FRIENDLY SINGLE BTW WC PAN (48 cm.)		
		<p>6711</p>

SEREL ALPHA SILENT CLOSE EASY-RELEASE SEAT AND COVER		
	 <p>SEREL® EasyRelease® SEREL® SilentClose®</p>	<p>223AF00002</p>


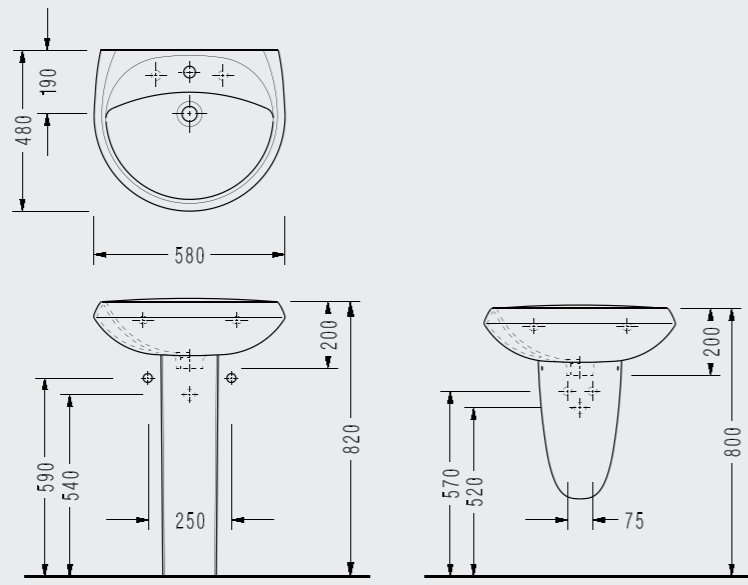
Product	Technical Drawings	Code
SEREL GEDIZ STANDARD ADJUSTABLE HINGED SEAT AND COVER		
		<p>2276100002</p>


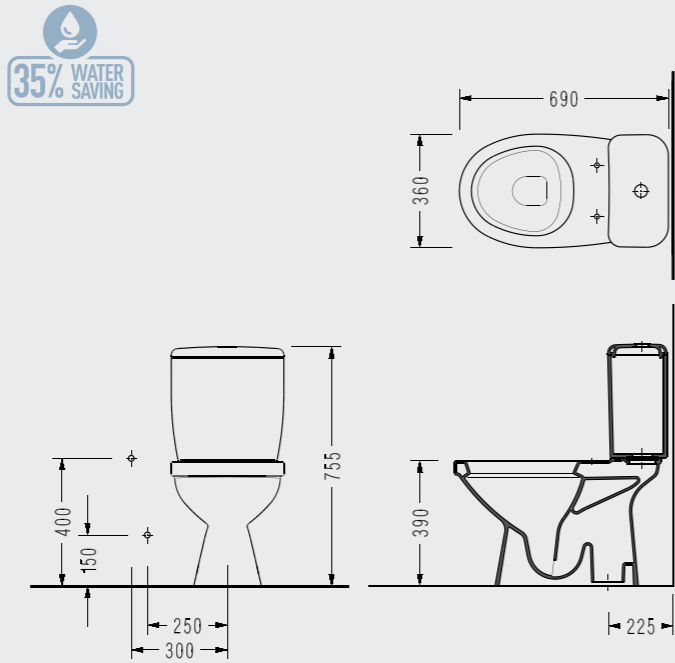
Product	Technical Drawings	Code
SEREL ETNA WASHBASIN (56 cm.)		
		<p>EN01 Washbasin (56 cm.)</p> <p>F005 Full Pedestal</p> <p>2822 Semi Pedestal</p>

Product	Technical Drawings	Code
SEREL ETNA BTW CLOSE-COUPLED WC PAN (64 cm.) + SEREL ETNA CISTERN		
	 <p>25% WATER SAVING</p>	<p>EN02 BTW Close-Coupled WC Pan (64 cm.)</p> <p>EN04 Cistern</p>


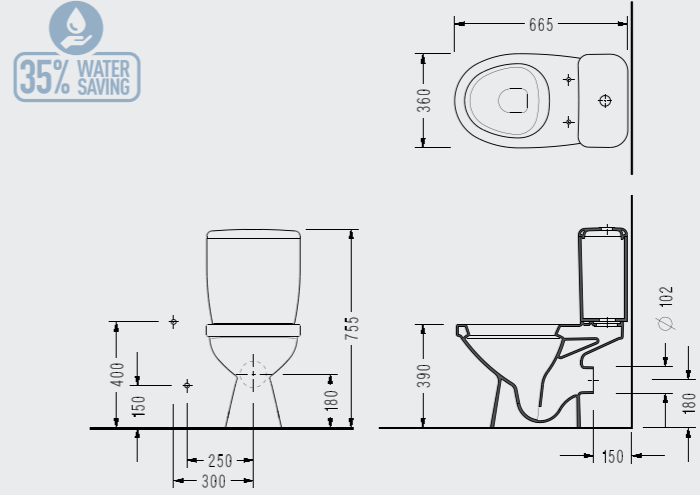

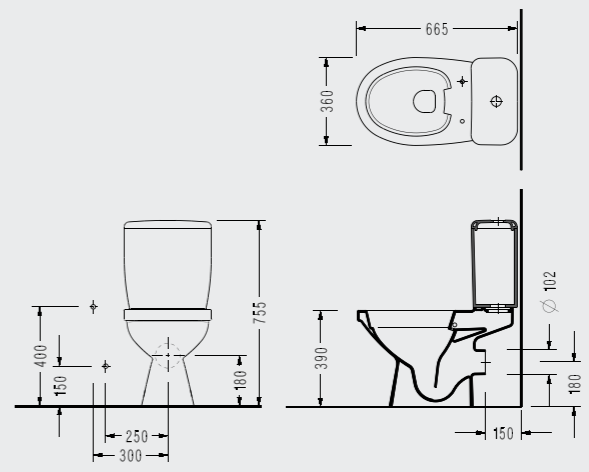


Compatible with 150400400007 Kibele and 150400400079 Niobe Flush Mechanisms.

Product	Technical Drawings	Code
SEREL ALPHA SILENT CLOSE EASY-RELEASE SEAT AND COVER		
	 <p>SEREL® EasyRelease® SEREL® SilentClose®</p>	223AF00002
SEREL GEDİZ STANDARD ADJUSTABLE HINGED SEAT AND COVER		
		2276100002

Product	Technical Drawings	Code
<b>SEREL LALE WASHBASIN (58 cm.)</b>		
		<p>7601 Washbasin (58 cm.)</p> <p>F005 Full Pedestal</p> <p>F021 Semi Pedestal</p>

Product	Technical Drawings	Code
<b>SEREL DAMLA S-TRAP CLOSE-COUPLED WC PAN (69 cm.) + SEREL LILA CISTERN</b>		
		<p>DM02 S-Trap Close-Coupled WC Pan (69 cm.)</p> <p>9448 Cistern</p>

Compatible with 150400400007 Kibele and 150400400079 Niobe Flush Mechanisms.

Product	Technical Drawings	Code
<b>SEREL DAMLA P-TRAP CLOSE-COUPLED WC PAN (66,5 cm.) + SEREL LILA CISTERN</b>		
		<p>DM06 P-Trap Close-Coupled WC Pan (66,5 cm.)</p> <p>9448 Cistern</p>
<b>SEREL DAMLA P-TRAP CLOSE-COUPLED WC PAN (66,5 cm.) + SEREL LILA CISTERN</b>		
		<p>DM26 P-Trap Close-Coupled WC Pan (66,5 cm.)</p> <p>9448 Cistern</p>
<b>SEREL ALPHA SILENT CLOSE EASY-RELEASE SEAT AND COVER</b>		
		<p>223AF00002</p>

Compatible with 150400400007 Kibele and 150400400079 Niobe Flush Mechanisms.

The images and technical drawings in the catalogue are for illustration purposes only.

Product	Technical Drawings	Code
SEREL GEDİZ STANDARD ADJUSTABLE HINGED SEAT AND COVER		2276100002



Product	Technical Drawings	Code
SEREL ZAMBAK WASHBASIN (60 cm.)		<p>6301 Washbasin (60 cm.)</p> <p>F005 Common Full Pedestal</p> <p>F021 Common Semi Pedestal</p>


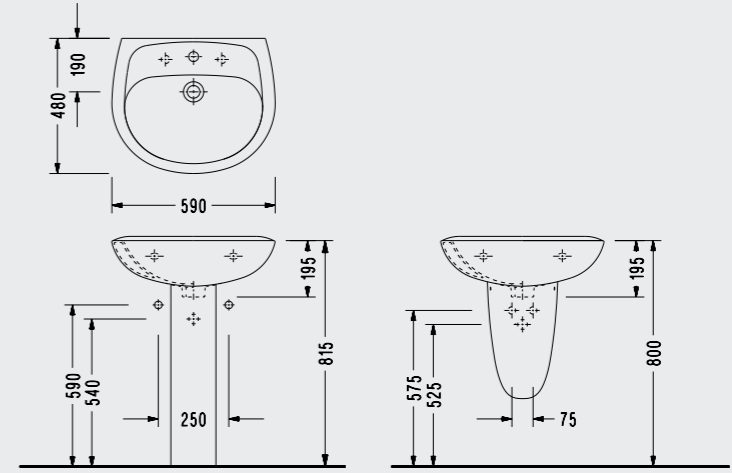

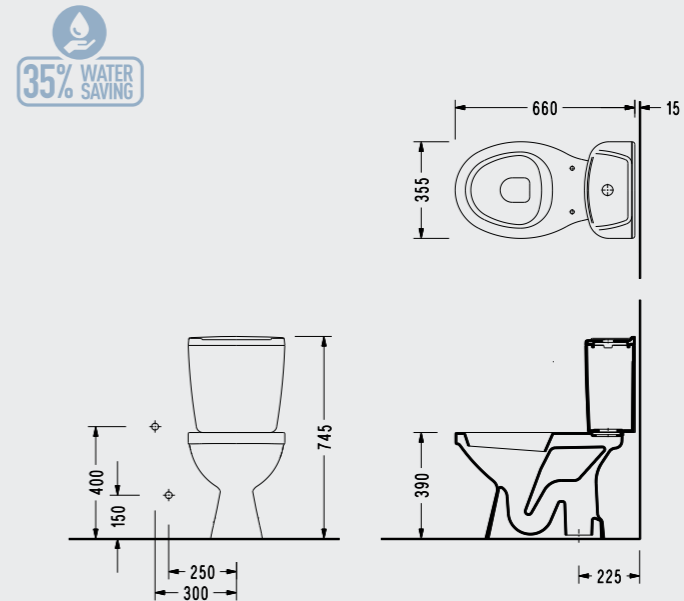


Product	Technical Drawings	Code
SEREL ZAMBAK P-TRAP CLOSE-COUPLED WC PAN (68 cm.) + SEREL MINE CISTERN		<p>6316 P-Trap Close-Coupled WC Pan (68 cm.)</p> <p>MND4 Cistern</p>




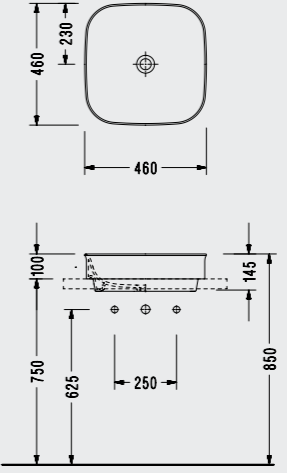

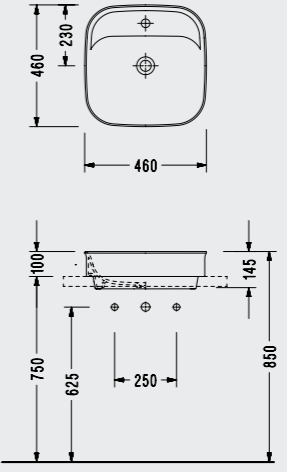

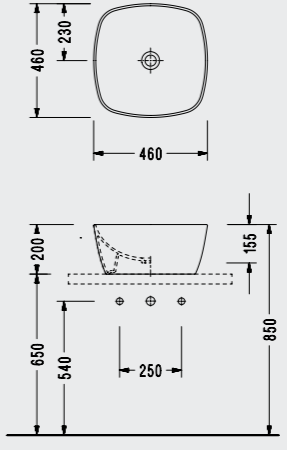
Compatible with 150400400007 Kibele and 150400400079 Niobe Flush Mechanisms.

Product	Technical Drawings	Code
SEREL ALPHA SILENT CLOSE EASY-RELEASE SEAT AND COVER		
	 <p>SEREL® EasyRelease® SEREL® SilentClose®</p>	223AF00002
SEREL GEDIZ STANDARD ADJUSTABLE HINGED SEAT AND COVER		
		2276100002

Product	Technical Drawings	Code
SEREL MIO WASHBASIN (59 cm.)		
		<p>MY01 Washbasin (59 cm.)</p> <p>F005 Full Pedestal</p> <p>F021 Semi Pedestal</p>
SEREL MIO S-TRAP CLOSE-COUPLED WC PAN (66 cm.) + SEREL MIO CISTERN		
	 <p>35% WATER SAVING</p>	<p>MN02 S-Trap Close-Coupled WC Pan (66 cm.)</p> <p>MY04 Cistern</p>

Compatible with 150400400007 Kibele and 150400400079 Niobe Flush Mechanisms.

Product	Technical Drawings	Code
SEREL ALPHA SILENT CLOSE EASY-RELEASE SEAT AND COVER		
	 <p>SEREL® EasyRelease® SEREL® SilentClose®</p>	223AF00002
SEREL GEDİZ STANDARD ADJUSTABLE HINGED SEAT AND COVER		
		2276100002

Product	Technical Drawings	Code
SEREL MINIMAL SQUARE WASHBASIN (46 cm.)		
		2017
SEREL MINIMAL SQUARE WASHBASIN (46 cm.)		
		2018
SEREL MINIMAL SLIM POT WASHBASIN (46 cm.)		
		3050

# SEREL MINIMAL WASHBASINS

Product	Technical Drawings	Code
SEREL MINIMAL SLIM POT WASHBASIN (46 cm.) <b>NEW</b>		3051
SEREL MINIMAL SLIM POT WASHBASIN (46 cm.)		3049
SEREL MINIMAL SLIM POT WASHBASIN (46 cm.)		3016

# SEREL MINIMAL WASHBASINS

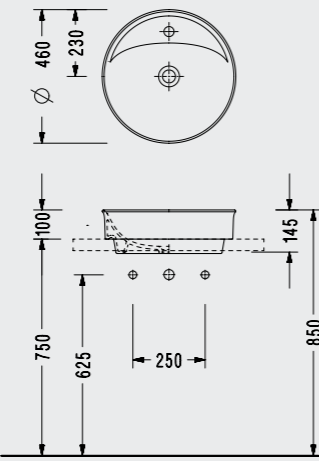
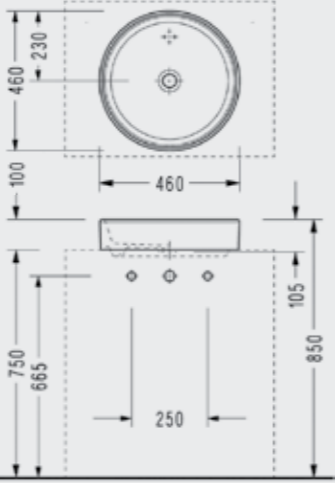
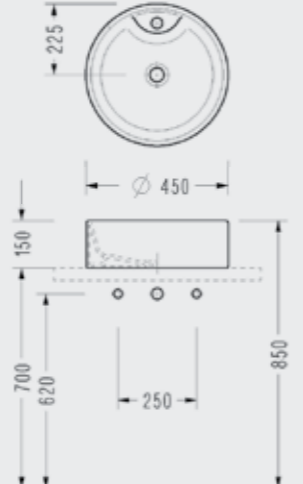
Product	Technical Drawings	Code
SEREL MINIMAL COUNTERTOP SLIM WASHBASIN (60 cm.)		1633
SEREL MINIMAL COUNTERTOP SLIM WASHBASIN (60 cm.)		1634
SEREL MINIMAL CYLINDRICAL WASHBASIN (Ø 46 cm.) <b>NEW</b>		2057

Eleks Diş Ticaret A.Ş. reserves the right to change the appearance, technical details of their products and price.

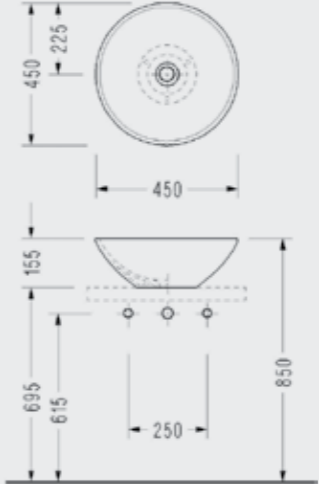
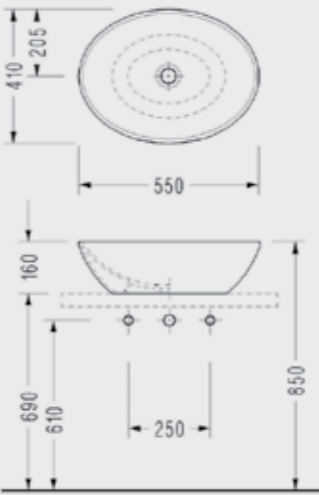
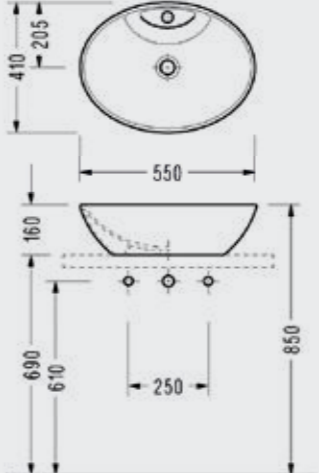
The images and technical drawings in the catalogue are for illustration purposes only.



## SEREL MINIMAL WASHBASINS

Product	Technical Drawings	Code
SEREL MINIMAL CYLINDRICAL WASHBASIN (Ø 46 cm.) <b>NEW</b>		2058
SEREL MINIMAL CYLINDRICAL WASHBASIN (Ø 46 cm.)		2025
SEREL MINIMAL CYLINDRICAL WASHBASIN (Ø 45 cm.)		2054

## SEREL MINIMAL WASHBASINS

Product	Technical Drawings	Code
SEREL MINIMAL POT WASHBASIN (Ø 45 cm.)		2012
SEREL CHAMONIX POT WASHBASIN (55 cm.)		CH33
SEREL CHAMONIX POT WASHBASIN (55 cm.)		CH34

**SEREL MINIMAL WASHBASINS**

Product	Technical Drawings	Code
SEREL CHAMONIX WASHBASIN WITH TRIANGULAR STAND (55 cm.)		CH01
SEREL MINIMAL SQUARE POT WASHBASIN (38,5 cm.)		2013
SEREL MINIMAL SQUARE POT WASHBASIN (43 cm.)		2014

Eleks Diş Ticaret A.Ş. reserves the right to change the appearance, technical details of their products and price.

**SEREL MINIMAL WASHBASINS**

Product	Technical Drawings	Code
SEREL MINIMAL SQUARE WASHBASIN (50,5 cm.)		2840
SEREL MINIMAL RECTANGULAR WASHBASIN (45 cm.)		2049
SEREL MINIMAL RECTANGULAR WASHBASIN (40 cm.)		2041

The images and technical drawings in the catalogue are for illustration purposes only.

## SEREL MINIMAL WASHBASINS

Product	Technical Drawings	Code
SEREL MINIMAL RECTANGULAR WASHBASIN (60 cm.)		2046
SEREL MINIMAL RECTANGULAR WASHBASIN (80 cm.)		2048
SEREL MINIMAL RECTANGULAR WASHBASIN (60 cm.)		2047

## SEREL MINIMAL WASHBASINS

Product	Technical Drawings	Code
SEREL MINIMAL SQUARE WASHBASIN (50 cm.)		2042
SEREL MINIMAL RECTANGULAR WASHBASIN (70 cm.)		2027
SEREL MINIMAL SEMI-RECESSED WASHBASIN (50 cm.)		2043

# SEREL MINIMAL WASHBASINS

Product	Technical Drawings	Code
SEREL MINIMAL SEMI-RECESSED WASHBASIN (60 cm.)		2044

SEREL MINIMAL COUNTERTOP WASHBASIN (60 cm.)		2045
---	--	------

# SEREL DISABLED SERIES


Product	Technical Drawings	Code
SEREL DISABLED WASHBASIN (67,5 cm.)		3044

SEREL DISABLED WALL HUNG WC PAN (70 cm.)		3045
--	--	------


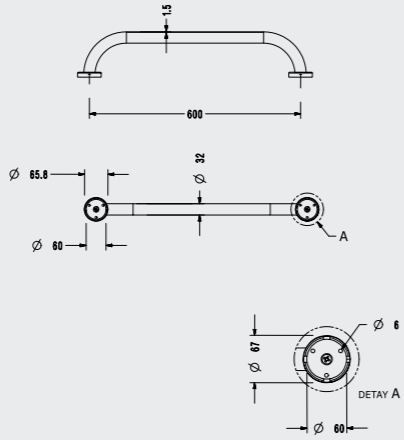
SEREL DISABLED SEMI BTW CLOSE-COUPLED WC PAN (65 cm.) + SEREL FRIENDLY CISTERN		<p>6745 Semi BTW Close-Coupled WC Pan (65 cm.)</p> <p>6748 Cistern</p>
--	--	--


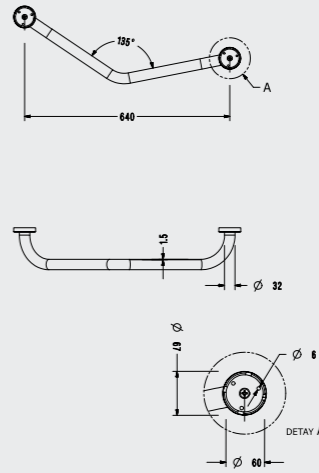



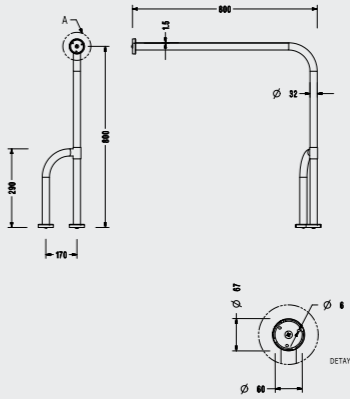
Compatible with 150400400007 Kibebe Flush Mechanism.


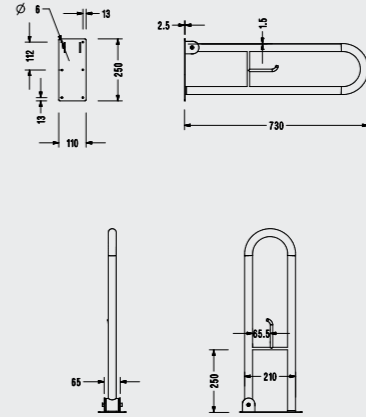
Product	Technical Drawings	Code
SEREL BETA SILENT CLOSE EASY-RELEASE SEAT AND COVER	 <p>EASY-RELEASE FUNCTION</p> <p>SEREL® EasyRelease® SEREL® SilentClose®</p>	223BT0002

Product	Technical Drawings	Code
SEREL SPIL STANDARD ADJUSTABLE HINGED SEAT AND COVER		2276001002

Product	Technical Drawings	Code
GRAB RAIL FOR WASHBASIN	 <p>150400300542 (60 cm.)</p> <p>150400300546 (40 cm.)</p> 	

Product	Technical Drawings	Code
135° ANGLED GRAB RAIL FOR BATHTUB	 	150400300543

Product	Technical Drawings	Code
90° ANGLED GRAB RAIL FOR WC PAN	 	150400300544


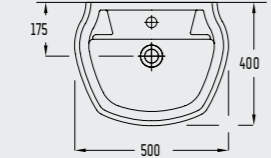

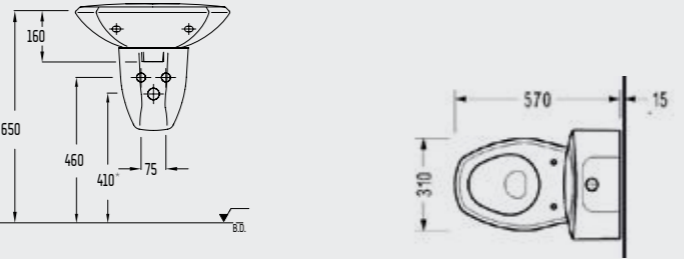
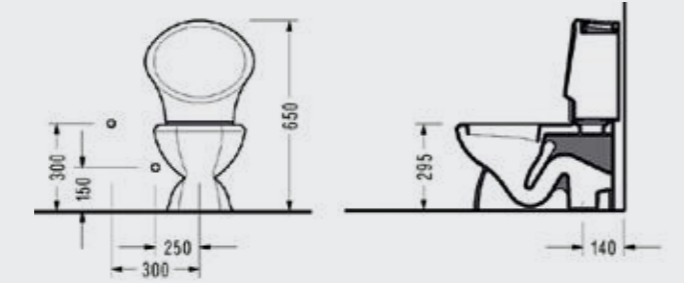
Product	Technical Drawings	Code
HINGED GRAB RAIL FOR WC PAN WITH TOILET PAPER HOLDER	 	150400300545

Product	Technical Drawings	Code
HINGED SHOWER SEAT (COMPOSITE)		150400300549
HINGED SHOWER SEAT (PLASTIC)		150400300550
DISABLED MIRROR		150400800306


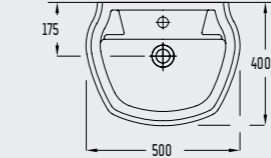

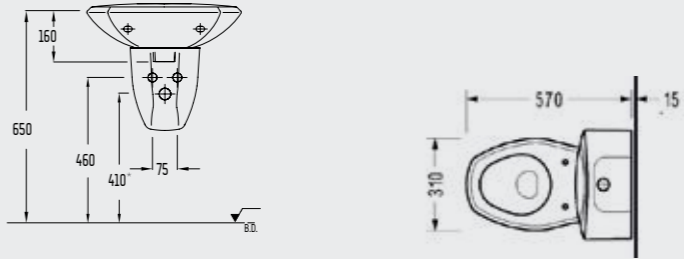
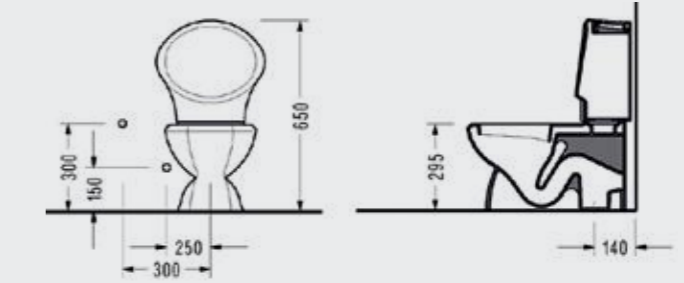
Product	Technical Drawings	Code
SEREL PALEIMON		PL37 Washbasin (52 cm.) PL02 BTW Close-Coupled WC Pan (54,5 cm.) PL04 Cistern
SEREL PALEIMON SEA DECOR <span style="background-color: #0070C0; color: white; padding: 2px 5px; font-weight: bold;">NEW</span>		PL37 DNZR Washbasin (52 cm.) PL02 BTW Close-Coupled WC Pan (54,5 cm.) PL04 DNZR Cistern

Compatible with 150400400007 Niobe Flush Mechanism.


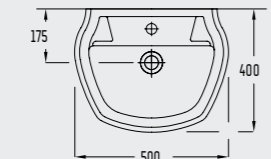

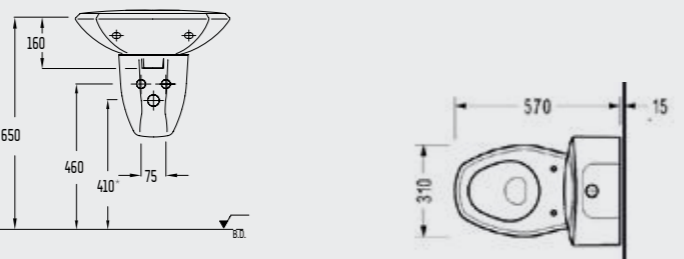
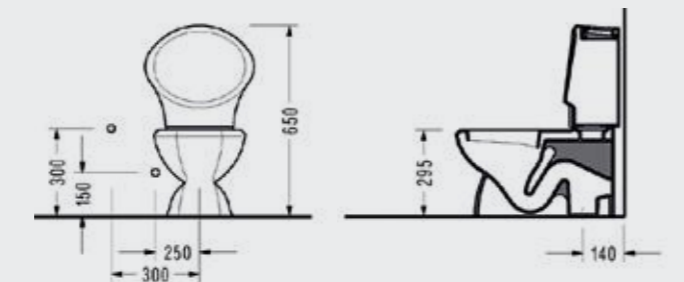
Compatible with 150400400007 Niobe Flush Mechanism.

Product	Technical Drawings	Code
<b>SEREL CHILDREN</b>		
		8701 Washbasin (50 cm.)
		8721 Semi Pedestal
		8702 S-Trap Close-Coupled WC Pan (57 cm.)
		8704 Cistern


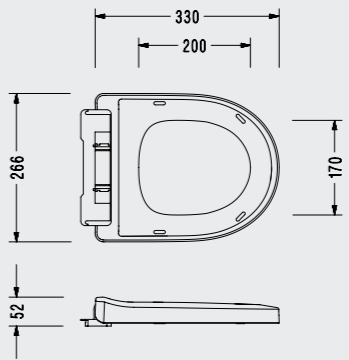
Compatible with 15040040079 Niobe Flush Mechanism.


Product	Technical Drawings	Code
<b>SEREL CHILDREN DOGGY DECOR</b>		
		8701 DOGR Washbasin (50 cm.)
		8721 DOGR Semi Pedestal
		8702 DOGR S-Trap Close-Coupled WC Pan (57 cm.)
		8704 DOGR Cistern

Compatible with 15040040079 Niobe Flush Mechanism.

Product	Technical Drawings	Code
<b>SEREL CHILDREN MUSHROOM DECOR</b>		
		8701 MNTR Washbasin (50 cm.)
		8721 MNTR Semi Pedestal
		8702 MNTR S-Trap Close-Coupled WC Pan (57 cm.)
		8704 MNTR Cistern

Compatible with 15040040079 Niobe Flush Mechanism.

Product	Technical Drawings	Code
<b>SEREL PALEIMON SEAT AND COVER</b>		
		150400120031

Product	Technical Drawings	Code
<b>SEREL CHILDREN STANDARD ADJUSTABLE HINGED SEAT AND COVER</b>		
		2278700002

SEREL WASHBASINS WITH SHELVES

Product	Technical Drawings	Code
RECTANGULAR WASHBASIN WITH SHELF (120 cm.)		3039

RECTANGULAR WASHBASIN WITH SHELF (100 cm.)		3037
--	--	------

SEREL WASHBASINS WITH SHELVES

Product	Technical Drawings	Code
RECTANGULAR WASHBASIN WITH SHELF (80 cm.)		3035

RECTANGULAR WASHBASIN WITH SHELF (60 cm.)		3001
---	--	------

Eleks Diş Ticaret A.Ş. reserves the right to change the appearance, technical details of their products and price.

The images and technical drawings in the catalogue are for illustration purposes only.



SEREL WASHBASINS WITH SHELVES

Product	Technical Drawings	Code
WASHBASIN WITH SHELF (85 cm.)		1844
WASHBASIN WITH SHELF (75 cm.)		1843
WASHBASIN WITH SHELF (65 cm.)		1842

SEREL VANITY WASHBASINS


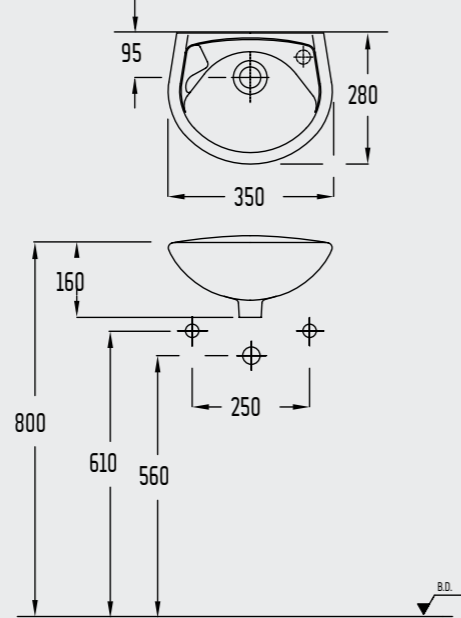

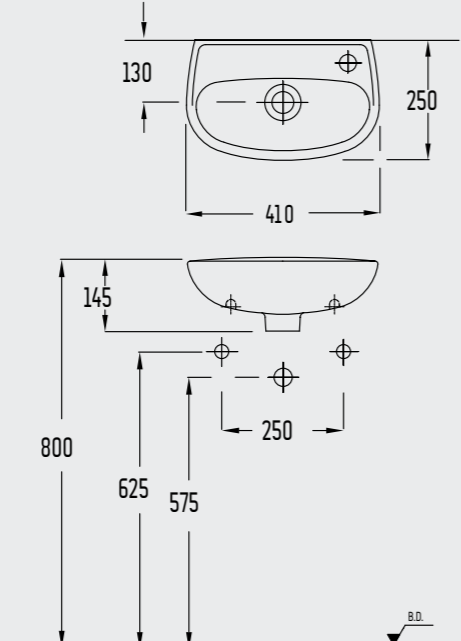
Product	Technical Drawings	Code
UNDERCOUNTER RECTANGULAR WASHBASIN (47,7 cm.)		0511
UNDERCOUNTER RECTANGULAR WASHBASIN (50,5 cm.)		0561
UNDERCOUNTER OVAL WASHBASIN (49,5 cm.)		0571


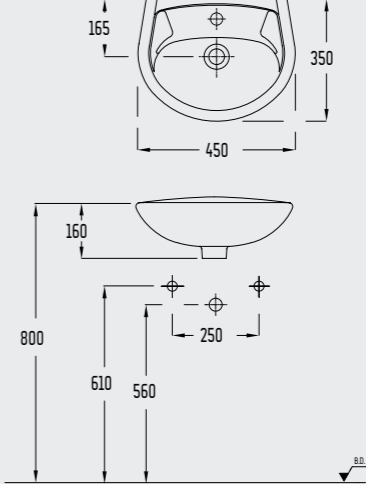

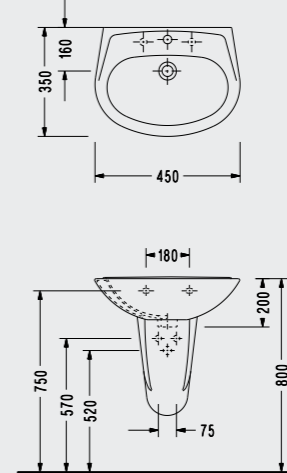

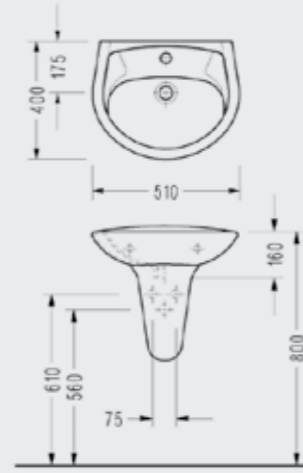
Product	Technical Drawings	Code
UNDERCOUNTER ELLIPSE WASHBASIN (43 cm.)		0551
UNDERCOUNTER ELLIPSE WASHBASIN (52 cm.)		0501
UNDERCOUNTER CIRCULAR WASHBASIN (40,5 cm.)		0591

Product	Technical Drawings	Code
SEREL MINIMAL COUNTERTOP WASHBASINS (60 cm.)		3042
SEREL MINIMAL COUNTERTOP WASHBASINS (42 cm.)		3014
COUNTERTOP ELLIPSE WASHBASIN (58 cm.)		1841

Eleks Dış Ticaret A.Ş. reserves the right to change the appearance, technical details of their products and price.

The images and technical drawings in the catalogue are for illustration purposes only.

Product	Technical Drawings	Code
WASHBASIN (35 cm.)		
		2641
WASHBASIN (41 cm.)		
		1301


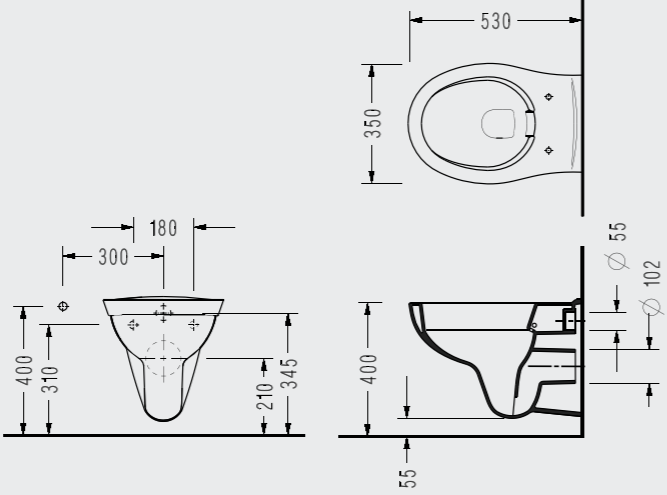
Product	Technical Drawings	Code
WASHBASIN (45 cm.)		
		2741
WASHBASIN (45 cm.)		
		5440 Washbasin (45 cm.) 5423 Small Semi Pedestal
WASHBASIN (51 cm.)		
		2841 Washbasin (51 cm.) 2822 Semi Pedestal


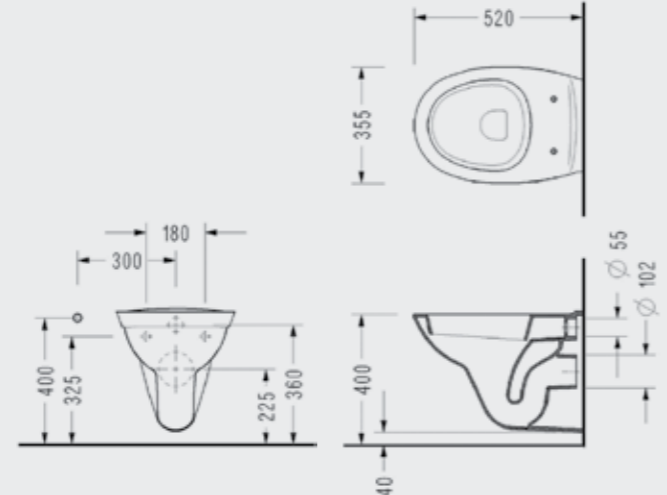
## SEREL SQUATTING PANS


Product	Technical Drawings	Code
REAR FLUSH INLET SQUATTING PAN (50x60 cm.)		0917 AR
SQUATTING PAN (50x60 cm.)		<p>0417 AR Rear Flush Inlet Squatting Pan (50x60 cm.)</p> <p>0417 US Top Flush Inlet Squatting Pan (50x60 cm.)</p>

## SEREL WC PANS

Product	Technical Drawings	Code
S-TRAP SINGLE WC PAN (53 cm.)		0602
P-TRAP SINGLE WC PAN (46 cm.)		0902
WALL HUNG WC PAN (48 cm.)		0412


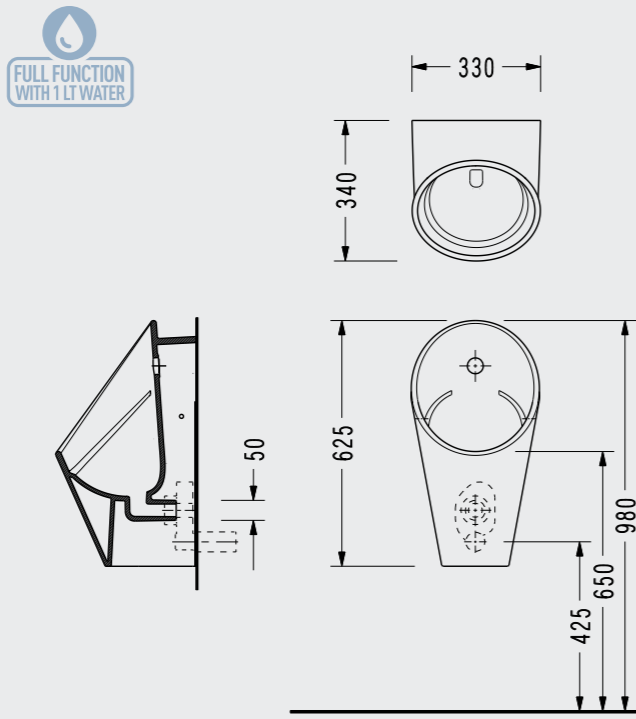
Product	Technical Drawings	Code
WALL HUNG WC PAN (53 cm.)	 	0426


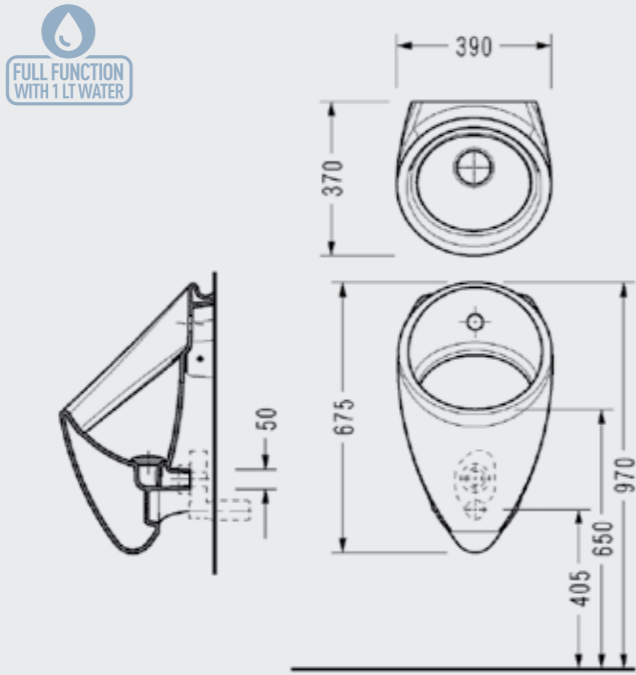
Product	Technical Drawings	Code
WALL HUNG WC PAN (52 cm.)	 	0422

Product	Technical Drawings	Code
SEREL ALPHA SILENT CLOSE EASY-RELEASE SEAT AND COVER	 	223AF00002


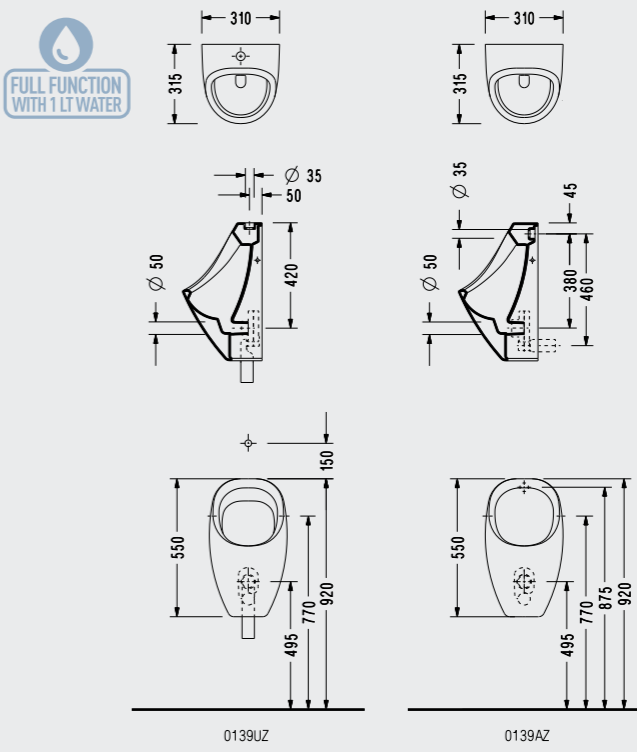
Product	Technical Drawings	Code
SEREL GEDIZ STANDARD ADJUSTABLE HINGED SEAT AND COVER		2276100002


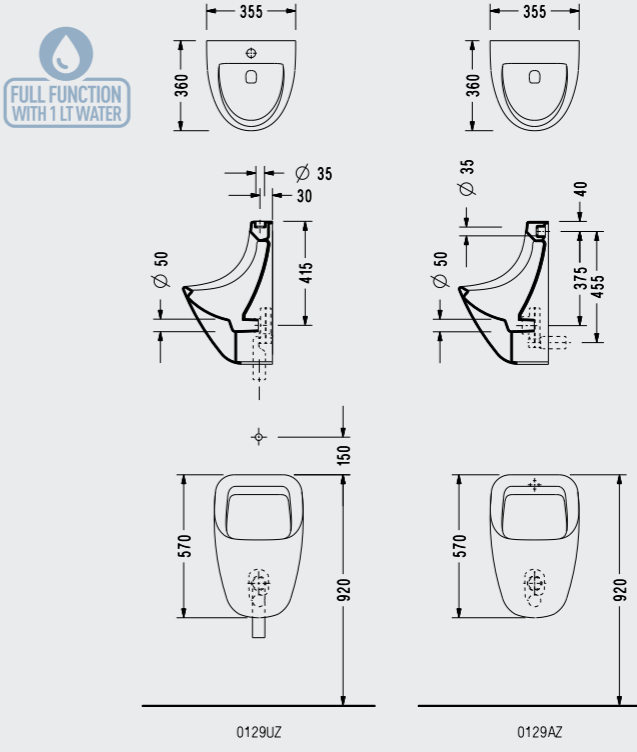
SEREL URINALS & WALL SEPARATORS

Product	Technical Drawings	Code
<b>SEREL LUVI URINAL</b>		
		<p>0169 KZ Rear Flush Inlet Urinal</p> <p>150400300522 Siphon for Urinals</p> <p>150400300520 Automatic Urinal Flushing Unit (Infrared)</p> <p>150400300426 Power Supply</p>


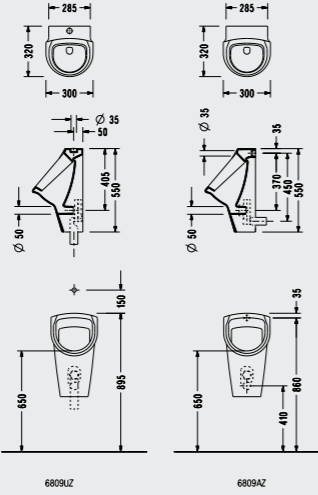
Product	Technical Drawings	Code
<b>SEREL AMPHORA REAR FLUSH INLET URINAL</b>		
		<p>AN09 AZ Rear Flush Inlet Urinal</p> <p>150400300522 Siphon For Urinals</p> <p>150400300520 Automatic Urinal Flushing Unit (Infrared)</p> <p>150400300426 Power Supply (230/24V-DC)</p>


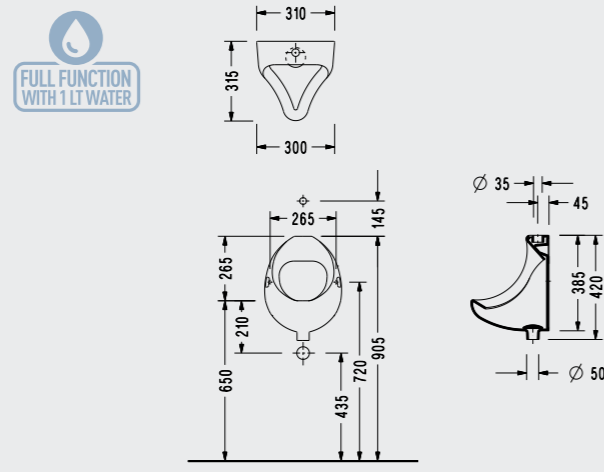
SEREL URINALS & WALL SEPARATORS


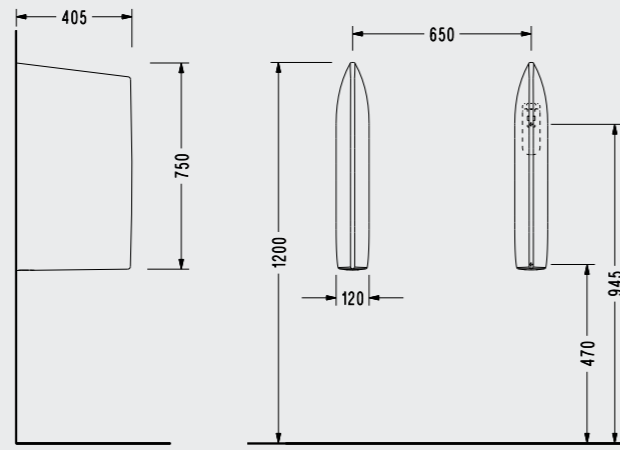
Product	Technical Drawings	Code
<b>URINAL</b>		
		<p>0139 AZ Rear Flush Inlet Urinal</p> <p>0139 UZ Top Flush Inlet Urinal</p> <p>150400300522 Siphon for Urinals</p>

Product	Technical Drawings	Code
<b>URINAL</b>		
		<p>0129 AZ Rear Flush Inlet Urinal</p> <p>0129 UZ Top Flush Inlet Urinal</p> <p>150400300522 Siphon for Urinals</p>


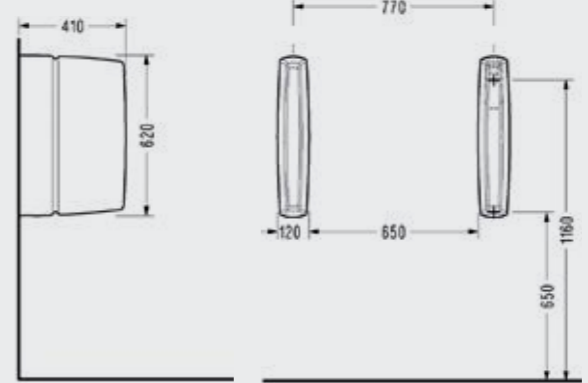
SEREL URINALS & WALL SEPARATORS


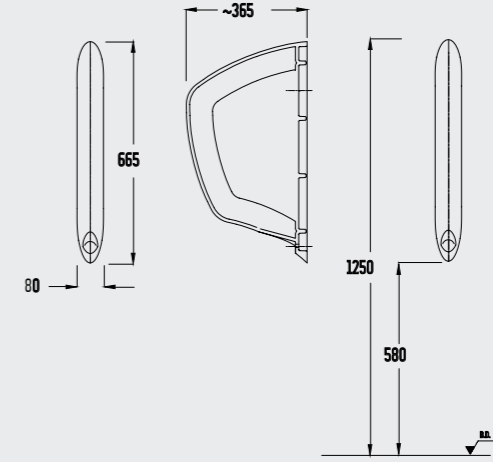
Product	Technical Drawings	Code
<b>SEREL ORKIDE URINAL</b>		
		<p>6809 UZ Top Flush Inlet Urinal</p> <p>6809 AZ Rear Flush Inlet Urinal</p> <p>6809 AD Rear Flush Inlet Urinal with Cover Holes</p> <p>150400300522 Siphon for Urinals</p> <p>2206300002 Sardes Urinal Cover</p>


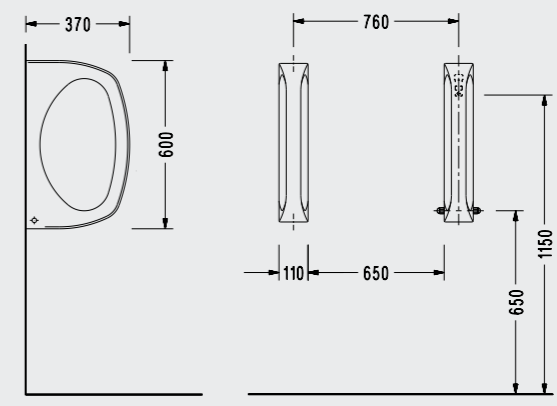
Product	Technical Drawings	Code
<b>TOP FLUSH INLET URINAL</b>		
		0149 UZ

Product	Technical Drawings	Code
<b>SEREL LUVI URINAL WALL SEPARATORS</b>		
		0160

SEREL URINALS & WALL SEPARATORS

Product	Technical Drawings	Code
<b>SEREL DIAGONAL URINAL WALL SEPARATORS</b>		
		DG20

Product	Technical Drawings	Code
<b>URINAL WALL SEPARATORS</b>		
		0140

Product	Technical Drawings	Code
<b>URINAL WALL SEPARATORS</b>		
		0120

Product	Technical Drawings	Code
RECTANGULAR SHOWER TRAY (80x120 cm.)		4508
RECTANGULAR SHOWER TRAY (80x100 cm.)		4518
SQUARE SHOWER TRAY (70x70 cm.)		4108

Eleks Diş Ticaret A.Ş. reserves the right to change the appearance, technical details of their products and price.

Product	Technical Drawings	Code
SQUARE SHOWER TRAY (80x80 cm.)		4008
SQUARE SHOWER TRAY (90x90 cm.)		4308
CORNER SHOWER TRAY (90x90 cm.)		4408

The images and technical drawings in the catalogue are for illustration purposes only.



# SEREL SHOWER TRAYS

Product	Technical Drawings	Code
CORNER SHOWER TRAY (80x80 cm.)		4208

CORNER SHOWER TRAY (80x80 cm.)		4228
--------------------------------	--	------

# SEREL ACCESSORIES

Product	Technical Drawings	Code
SHELF (62,5 cm.)		ST14

SHELF (51 cm.)		E414
----------------	--	------

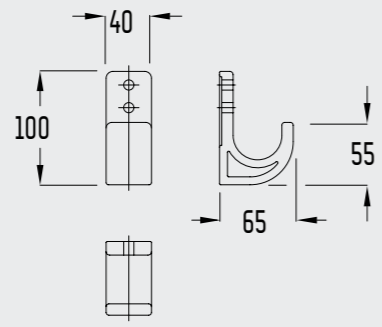
SHELF (51 cm.)		FU14
----------------	--	------




Product	Technical Drawings	Code
LARGE SOAP HOLDER (30,5 cm.)		FU10
SMALL SOAP HOLDER (15 cm.)		FU13
BREAK HOLDER		FU20 Breaker Holder  FU21 Breaker

Eleks Diş Ticaret A.Ş. reserves the right to change the appearance, technical details of their products and price.

Product	Technical Drawings	Code
PAPER HOLDER		FU15
BAR TOWEL HANGER		FU31
RING TOWEL HANGER		FU30

The images and technical drawings in the catalogue are for illustration purposes only.

Product	Technical Drawings	Code
HOOK HANGER		FU22

Product	Technical Drawings	Code
MAGNESIA DUAL FLUSH MECHANISM (CABLED)		150400400002
KIBELE DUAL FLUSH MECHANISM		150400400007
NIOBE SINGLE FLUSH MECHANISM		150400400079

## GUIDANCE FOR RIGHT SEAT COVER

NAME	CODE	ZETA SLIM	ZETA	BETA SLIM	BETA	SPIL	ALPHA	GEDZ	MARINE	SIGMA SLIM	CHILDREN	PALEIMON	SARDES	SARDES
4LIFE	FL10	223ZS00002	223ZT00002	223BS00002	223BT00002	2276001002	223AF00002	2276100002	223MR00002	223SS00002	2208700002	150400120031	2206300002	2206300002
POSEIDON	PS10			✓						✓				
PURITY	PR10			✓										
WAVE	3011								✓					
DIAGONAL	DG02	✓	✓											
	DG10	✓	✓											
	DG11	✓	✓											
RITA	RT26	✓	✓											
	RT10	✓	✓											
SAPPHIRE	SP26			✓	✓	✓								
	SP10			✓	✓	✓								
SMART	SM25			✓	✓	✓								
	SM23			✓	✓	✓								
	SM10			✓	✓	✓								
	SM12			✓	✓	✓								
	SM15			✓	✓	✓								
	SM46			✓	✓	✓								
	SM26			✓	✓	✓								
STAR	SA02	✓	✓											
	SA26	✓	✓											
NITA	NT02			✓	✓	✓								
	NT23			✓	✓	✓								
	NT12	✓	✓											
	NT10	✓	✓											
FRIENDLY	6712			✓	✓	✓								
	6726			✓	✓	✓								
	6716			✓	✓	✓								
	6746			✓	✓	✓								
	6710			✓	✓	✓								
	6706						✓	✓						
	6711						✓	✓						
ETNA	EN02					✓	✓							
DAMLA	DM02						✓	✓						
	DM06						✓	✓						
	DM26						✓	✓						
ZAMBAK	6316					✓	✓							
MIO	MN02					✓	✓							
DISABLED	3045			✓	✓	✓								
	6745			✓	✓	✓								
PALEIMON	PL02										✓			
CHILDREN	8702									✓				
SINGLE PIECE	0602						✓	✓						
	0902						✓	✓						
	0412						✓	✓						
	0426						✓	✓						
	0422						✓	✓						
ORKIDE	6809 AD												✓	

## GUIDANCE FOR RIGHT SEAT COVER

NAME	CODE	PIA (Matt White)	PIA (Matt Black)	PIA SLIM (Matt White)	PIA SLIM (Matt Black)	SERA (Matt White)	SERA (Matt Black)	SERA SLIM (Matt White)	SERA SLIM (Matt Black)	ZETA SLIM (Red)	ZETA SLIM (Black)	ZETA SLIM (Beige)	BETA SLIM (Red)	BETA SLIM (Black)	BETA SLIM (Beige)
COLORS	RT26-010H	✓		✓											
	RT26-050H		✓		✓										
	SP26-010H					✓		✓							
	SP26-050H						✓		✓						
	RT10-530H									✓					
	RT10-060H										✓				
	RT10-100H											✓			
	SP10-530H												✓		
	SP10-060H													✓	
	SP10-100H														✓
	SM23-530H												✓		
	SM23-060H													✓	
	SM23-100H														✓

## WARRANTY

CERAMIC SANITARY WARE	SEAT AND COVER	FLUSH MECHANISM
10 YEARS	2 YEARS	5 YEARS
URINAL FLUSHING UNIT	GRAB RAIL FOR DISABLED PEOPLE	
2 YEARS	2 YEARS	



#### HEAD OFFICE

##### **Eleks Dış Ticaret A.Ş.**

Esentepe Mahallesi,  
Kasap Sokak, No:15/1,  
34394 Sisli/Istanbul/Turkey

✉ [eleks@eleks.com.tr](mailto:eleks@eleks.com.tr)

☎ +90 (212) 708 48 50

☎ +90 (212) 292 80 36

🌐 [www.eleks.com.tr](http://www.eleks.com.tr) [www.eca.com.tr](http://www.eca.com.tr)

#### EUROPE

##### **E.C.A. Germany GmbH**

Lindenstraße 14  
50674 Köln Germany

✉ [info@eca-germany.de](mailto:info@eca-germany.de)

☎ +49 (0) 221 / 924 28 165

☎ +49 (0) 221 / 924 28 169

🌐 [www.eca-serel.de](http://www.eca-serel.de)

##### **Eleks U.K.**

Alan Baxter & Associates Workspaces,  
Cowcross Court 70 77, Cowcross Street,  
London EC1M 6EL

✉ [info@eca-serel.co.uk](mailto:info@eca-serel.co.uk)

☎ +44 (0)203 757 54 99

